



# CityMower 18V-32-300

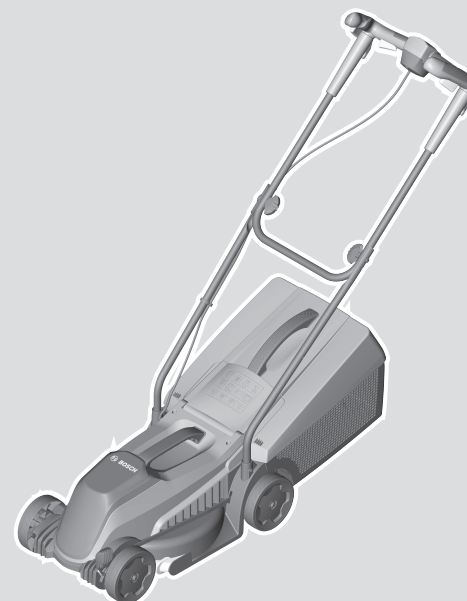
Robert Bosch Power Tools GmbH  
70538 Stuttgart  
GERMANY

[www.bosch-pt.com](http://www.bosch-pt.com)

F 016 L94 324 (2021.09) 0 / 38



F 016 L94 324



en Original instructions  
ar دليل التشغيل الأصلي  
fa دفترچه راهنمای اصلی



English .....	Page	3
عربي .....	الصفحة	11
فارسی .....	صفحه	20

## English

### Safety Notes

**Warning! Read all safety warnings and all instructions. Make yourself familiar with the controls and the proper use of the product. Please keep the instructions safe for later use!**

### Explanation of symbols on the garden tool, charger and battery



General hazard safety alert.



Read instruction manual.



Make sure that bystanders are not injured by foreign objects being thrown away.



Warning: Keep a safe distance to the product when operating.



Caution: Do not touch rotating blades. Sharp blade(s). Beware of severing toes or fingers.



Switch off and remove isolator switch before adjusting, cleaning and before leaving the product unattended for any period.



Not applicable.



Wait until all machine components have completely

stopped before touching them. The blades continue to rotate after the machine is switched off, a rotating blade can cause injury.



Do not use the product in the rain or leave it outdoors when it is raining.



Beware electric shock hazard.



Not applicable.



Only use the battery charger indoors.



Battery charger contains a safety transformer.



Do not use a high-pressure washer or a garden hose to clean the machine.



Carefully check the area where the tool is to be used for wildlife and pets. Wildlife and pets may be injured while the machine is in operation. Thoroughly check the working area and remove any stones, sticks, wires, bones and foreign objects. When using the machine, ensure that no wildlife, pets or small tree stumps are hidden in the dense grass.

### Operation

- ▶ Never allow children or people unfamiliar with these instructions to use the product. Local regulations may restrict the age of the operator.

- When not in use store the product out of reach of children.
- ▶ Never allow children, persons with physical, sensory or mental limitations or a lack of experience and/or knowledge and/or people unfamiliar with these instructions to use the machine.
  - ▶ Children should be supervised to ensure that they do not play with the product.
  - ▶ Never work while people, especially children, or pets are nearby.
  - ▶ The user is responsible for accidents or hazards occurring to other people or their property.
  - ▶ Do not wear open rubber shoes or sandals when using the product. Always wear sturdy shoes and long trousers. Do not use barefoot.
  - ▶ Thoroughly inspect the area where the machine is to be used and remove all stones, sticks, wires, bones and other foreign objects.
  - ▶ Before using, always visually inspect to see that the blades, blade bolts and cutter assembly are not worn or damaged. Replace worn or damaged blades and bolts in sets to preserve balance.
  - ▶ Mow only in daylight or in good artificial light.
  - ▶ Avoid mowing in bad weather conditions especially when there is a risk of lightning.
  - ▶ Avoid operating the machine in wet grass, where feasible.
  - ▶ Walk, never run.
  - ▶ Never operate the machine with defective guards or shields, or without safety devices, for example deflectors and/or grass catchers in place.
  - ▶ We would advise you to wear ear protection for your own convenience.
  - ▶ Never operate the product when you are tired, ill or under the influence of alcohol, drugs or medicine.
  - ▶ Working on banks can be dangerous:
    - Do not mow on excessively steep slopes.
    - Always be sure of your footing on slopes or wet grass.
    - Mow across the face of slopes never up and down.
    - Exercise extreme caution when changing direction on slopes.
  - ▶ Use extreme caution when stepping back or pulling the machine towards you.
  - ▶ Never mow by pulling the mower towards you.
  - ▶ Wait until the blades stop if the machine has to be tilted for transportation when crossing surfaces other than grass and when transporting the machine to and from the area to be mowed.
  - ▶ Do not tilt the machine when starting or switching on the motor.
  - ▶ Switch on the motor according to the instructions with feet well away from rotating parts.

- ▶ Do not put hands or feet near or under rotating parts.
  - ▶ Always stand clear of the discharge zone when operating the machine.
  - ▶ Never pick up or carry the machine while the motor is running.
  - ▶ When storing, make sure that all 4 wheels of the garden tool stand on the ground/floor.
  - ▶ Only lift the garden tool with the carrying handle. Use the carrying handle with care.
  - ▶ **Do not modify the product.** Unauthorized modifications may impair the safety of your product and may result in increased noise and vibration.
- Before checking, cleaning or working on the machine.
  - After striking a foreign object. Inspect the machine for damage and change the blade as necessary.
  - If the machine starts to vibrate abnormally (check immediately).

## Maintenance

### ▶ Always wear gardening gloves when handling or working near the sharp blades.

- ▶ Keep all nuts, bolts and screws tight to ensure safe working with the product.
- ▶ Check the grass bag frequently for wear or deterioration.
- ▶ Check the grass catcher frequently for wear or deterioration.
- ▶ Inspect the product and replace worn or damaged parts for safety.
- ▶ Ensure replacement cutting means of the right type are used.
- ▶ Ensure replacement parts fitted are Bosch-approved.
- ▶ Before storing, make sure that the product is clean and free of residue. If necessary, clean with a soft dry brush.

## Leaf Collect

The leaf collect blade has been designed to allow you to pick up autumn leaves from your lawn. In order for this functionality to work within optimal parameters, please note the following:

- Only collect leaves with the machine set at maximum cutting height.
- Collect leaves from your lawn only.
- Before collecting leaves inspect the area where the machine is to be used and keep people, pets, glass structures and cars away from use.

## Remove the isolator switch:

- Whenever you leave the machine.
- Before clearing a blockage.

## Safety Instructions and Recommendations for Optimal Handling of the Battery

- ▶ **Ensure the product is switched off and the isolator key is in the off position before the inserting the battery.** Inserting the battery into a product that has the switch on can cause accidents.
- ▶ **Use only Bosch batteries intended specifically for this product.** Use of any other batteries may create a risk of injury and fire.

- ▶ **Do not open the battery.** There is a risk of short-circuiting.



**Protect the battery against heat (e.g., against continuous intense sunlight), fire, water, and moisture.** There is a risk of explosion.



- ▶ **Keep the battery not being used away from paper clips, coins, keys, nails, screws or other small metal objects, that can make a connection from one terminal to another.** Shorting the battery terminals together may cause burns or a fire.
- ▶ **In case of damage and improper use of the battery pack, vapours may be emitted.** Ventilate the area and seek medical help in case of complaints. The vapours can irritate the respiratory system.
- ▶ **Only use the battery with products from the manufacturer.** This is the only way in which you can protect the battery against dangerous overload.
- ▶ **The battery can be damaged by pointed objects such as nails or screwdrivers or by force applied externally.** An internal short circuit may occur, causing the battery to burn, smoke, explode or overheat.
- ▶ **Do not short-circuit the battery.** There is a risk of explosion.
- ▶ Protect the battery against moisture and water.
- ▶ Store the product and battery only within a temperature range between  $-20\text{ }^{\circ}\text{C}$  and  $50\text{ }^{\circ}\text{C}$ . As an example, do not leave the battery in the car in summer.
- ▶ Occasionally clean the venting slots of the battery using a soft, clean and dry brush.

## Safety Warnings for Battery Chargers



**Read all safety warnings and all instructions.** Failure to follow the safety warnings and instructions may result in electric shock, fire and/or serious injury.

### Save all safety warnings and instructions for future reference.

Use the battery charger only when you fully understand and can perform all functions without limitation, or have received appropriate instructions.

- ▶ **Never allow children, persons with physical, sensory or mental limitations or a lack of experience and/or knowledge and/or people unfamiliar**

with these instructions to use the battery charger. Local regulations may restrict the age of the operator.

### ▶ Supervise children at all times.

This will ensure that children do not play with the battery charger.

- ▶ **Charge only Bosch lithium-ion batteries with a capacity above 4.0 Ah (10 battery cells or more).** The battery voltage must match the battery charging voltage of the charger. Do not charge non-rechargeable batteries. Otherwise there is a danger of fire and explosion.



**Keep the battery charger away from rain or moisture.** Penetration of water in the battery charger increases the risk of an electric shock.

- ▶ **Keep the charger clean.** Dirt poses a risk of electric shock.
- ▶ **Always check the charger, cable and plug before use. Stop using the charger if you discover any damage. Do not open the charger yourself, and have it repaired only by a qualified specialist using only original replacement parts.** Damaged chargers, cables and plugs increase the risk of electric shock.
- ▶ **Do not operate the charger on an easily ignited surface (e.g. paper, textiles, etc.) or in a flammable environment.** There is a risk of fire due to the charger heating up during operation.
- ▶ **Do not cover the ventilation slots of the battery charger.** Otherwise, the battery charger can overheat and no longer operate properly.
- ▶ For increased electrical safety, we recommend using a residual current device with a max. tripping current of 30 mA. Before using, always check your residual current device.

## Intended Use

The garden product is intended for domestic lawn mowing.

The garden product is not intended for hedge cutting, trimming, shredding, etc.

The garden product is intended for lawn mowing at ground level.

## Technical Data

Lawnmower

CityMower 18V-32-300

Article number

3 600 HB9 A..

Lawnmower		CityMower 18V-32-300	
Rated voltage	V	18	
Bowl diameter	cm	34	
Height of cut	mm	30 – 60	
Capacity, grass bag	l	31	
Weight according to EPTA-Procedure 01:2014 <sup>A)</sup>	kg	9.4 / 9.5	
Serial number	see type plate on garden tool		
Recommended ambient temperature during charging	°C	0 ... +35	
Permitted ambient temperature during operation and storage	°C	-20 ... +50	
Battery type	PBA 18V...W- 4.0 Ah, 5.0 Ah, 6.0 Ah		

A) Depends on battery in use

All values in this manual are measured for usage below or equal to 2000 meters above nominal sea level.

Charger		AL 1810 CV	AL 1815 CV	AL 1830 CV	AL 1880 CV
Charging current	A	1.0	1.5	3.0	8.0
Charging period (battery discharged)					
– Battery with 4.0 Ah	min	240	168	95	35
– Battery with 5.0 Ah	min	275	193	104	46
– Battery with 6.0 Ah	min	364	260	130	62
Weight according to EPTA-Procedure 01:2014	kg	0.17	0.38	0.40	0.60
Protection class		□ / II	□ / II	□ / II	□ / II

## Noise/Vibration Information

3 600 HB9 A..

Typically the A-weighted noise levels of the product are:

Noise emission values determined according to **EN 60335-2-77**.

– Sound pressure level	dB(A)	<b>69</b>
– Sound power level	dB(A)	<b>89</b>
– Uncertainty K	dB	<b>= 1,0</b>

Vibration total values ah (triax vector sum) and uncertainty K determined according to **EN 60335-2-77**

– Vibration emission value $a_h$	$m/s^2$	<b>&lt; 2,5</b>
– Uncertainty K	$m/s^2$	<b>= 1,5</b>

## Mounting and Operation

Action	Figure	Page
Delivery scope <sup>A)</sup>	<b>A</b>	29
Mounting the handle	<b>B</b>	30
Snap together the Grassbox	<b>C</b>	31
Grassbox fitting/removing	<b>D</b>	31

Action	Figure	Page
Setting the height of cut	<b>E</b>	32
Inserting the battery	<b>F</b>	32
Operation	<b>G – I</b>	33 –
- Inserting the isolator switch		35
- Switching on		
- Mowing		

Action	Figure	Page
- Switching off - Removing the isolator switch		
Removing the battery	J	36
Working advice "mowing"	K	36
Blade maintenance/Blade replacement	L	37
Selecting accessories	M	38

A) **Accessories shown or described are not included with the product as standard. You can find the complete selection of accessories in our accessories range.**

## Starting Operation

### For Your Safety

- ▶ **Warning! Switch off, remove the isolator switch and the battery before adjusting or cleaning. The same applies when the cable to the switch in the handle is damaged, cut or entangled.**
- ▶ **The blade continues to rotate for a few seconds after the machine is switched off.**
- ▶ **Caution: Do not touch the rotating blade.**

### Charging the Battery

The battery is equipped with temperature monitoring that allows charging only in the temperature range between 0 °C and 35 °C. In this manner, a high battery service life is achieved.

**Note:** The battery is supplied partially charged. To ensure full battery capacity, completely charge the battery in the battery charger before using for the first time.

The lithium-ion battery can be charged at any time without reducing its service life. Interrupting the charging procedure does not cause damage to the battery.

The "Electronic Cell Protection (ECP)" protects the lithium-ion battery against deep discharging. When the battery is empty, the product is switched off by means of a protective circuit: The product no longer operates.

**Do not continue to press the On/Off switch after an automatic shut-off of the product.** The battery could become damaged.

Observe the notes for disposal of the battery.

### Inserting/Removing the Battery

**Note:** Using unsuitable batteries can lead to malfunctions or damage the machine.

Insert the charged battery. Ensure the battery is inserted correctly.

To remove the battery from the machine, press the battery unlocking button and pull the battery out.

### Charging Procedure

The charging procedure starts as soon as the mains plug of the charger is plugged into a socket outlet and the battery is inserted onto the charger .

Due to the intelligent charging method, the charging condition of the battery is automatically detected and the battery is charged with the optimum charging current, depending on battery temperature and voltage.

This gives longer life to the battery and always leaves it fully charged when kept in the charger for storage.

## Meaning of the Indication Elements (AL 1810)

### Flashing battery charge indicator



The charging process is indicated by the **flashing** of the battery charge indicator .

### Solid light on battery charge indicator



A **solid light** on the battery charge indicator signals that the battery is fully charged or that the temperature of the battery is not within the permitted charging temperature range, and can therefore not be charged. The battery is charged as soon as the allowable charging temperature range is reached.

When the battery is not inserted, a **solid light** on the battery charge indicator signals that the mains plug is inserted in the plug socket and that the charger is ready for operation.

## Understanding the Indicators (AL 1815 CV)

### Flashing battery charge indicator



The charging process is indicated by the **flashing** of the battery charge indicator .

### Continuous lighting of the battery charge indicator



**Continuous lighting** of the battery charge indicator indicates that the battery is fully charged or that the temperature of the battery is not within the allowable charging temperature range, and cannot be charged for this reason. The battery is charged as soon as the allowable charging temperature range is reached.

When the battery is not inserted, **continuous lighting** of the battery charge indicator indicates that the mains plug is inserted in the socket outlet and that the battery charger is ready for operation.

## Meaning of the Indication Elements (AL 1830 CV / AL 1880 CV)

### (Fast) Flashing of the Green Battery Charge Indicator



The rapid-charging procedure is indicated by **fast flashing** of the **green** battery charge indicator .

**Note:** The rapid-charging procedure is only possible when the battery temperature is within the allowable charging temperature range, see section "Technical Data".

### (Slow) Flashing of the Green Battery Charge Indicator



When the charging condition of the battery is 80%, the **green** battery charge indicator **flashes slowly**.

The battery can be removed for immediate use.



### Continuous Lighting of the Green Battery Charge Indicator



**Continuous lighting** of the **green** battery charge indicator indicates that the battery is fully charged.

When the battery is not inserted, **continuous lighting** of the battery charge indicator indicates that the mains plug is inserted in the socket outlet and that the battery charger is ready for operation.

### Continuous Lighting of the Red Battery Charge Indicator



**Continuous lighting** of the **red** battery charge indicator indicates that the temperature of the battery is not within the allowable charging temperature range, see section "Technical Data". As soon as the allowable charging temperature range is reached, the battery charger automatically switches to rapid charging.

### Flashing Red Battery Charge Indicator



A **flashing red** battery charge indicator indicates a different malfunction of the charging procedure, see section "Troubleshooting – Causes and Corrective Measures".

## Working Advice

### Cutting Capacity (Battery Operating Duration)

The cutting capacity (battery operating duration) depends on lawn properties, such as grass density, moisture content, grass length and height of cut.

Switching the machine on and off frequently during cutting will also reduce the cutting capacity (battery operating duration).

To improve the cutting capacity (battery operating duration), it is recommended to cut more frequently, increase the cutting height and walk at an appropriate pace.

The example below shows the connection between cutting height and cutting capacity with regard to three batteries.

#### Cutting Conditions



Very thin, dry grass

Cutting capacity	
Battery with 4.0 Ah	up to 200 m <sup>2</sup>
Battery with 5.0 Ah	up to 250 m <sup>2</sup>
Battery with 6.0 Ah	up to 300 m <sup>2</sup>

To increase the run time an additional battery can be purchased from an authorised customer service agent for Bosch garden products.

## Troubleshooting



Problem	Possible Cause	Corrective Action
Motor refuses to start	Internal wiring of garden tool defective	Contact Bosch customer service agent
	Battery discharged	Recharge battery
	Battery too hot/cold	Allow to cool/warm
	Grass too long	Max. allowed grass height 15 cm on highest height-of-cut setting
	Motor protector has activated	Allow motor to cool and increase height of cut
	Isolator key not inserted correctly/fully	Fit correctly
Garden tool functions intermittently	Internal wiring of garden tool defective	Contact Bosch customer service agent
	Motor protector has activated	Allow motor to cool and increase height of cut
Machine leaves ragged finish and/or Motor labours	Height of cut too low	Increase height of cut
	Cutting blade blunt	Replace cutting blade (see figure L).
	Possible clogging	Switch garden tool off and disengage isolator key Check underneath the garden product and clear out as necessary (always wear protective gloves)
	Blade fitted upside down	Refit blade correctly
Blade not rotating while garden product switched on	Cutting blade obstructed	Switch garden tool off and disengage isolator key Clear obstruction (always wear protective gloves)
	Blade nut/bolt loose	Tighten blade nut/bolt (17 Nm)

Problem	Possible Cause	Corrective Action
Excessive vibrations/ noise	Blade nut/bolt loose	Tighten blade nut/bolt (17 Nm)
	Cutting blade damaged	Replace cutting blade (see figure L).

## Maintenance and Service

### Maintenance, Cleaning and Storage

- **Before any work on the garden product itself (e. g. maintenance, tool change, etc.) as well as during transport and storage, remove the battery from the garden product.** There is danger of injury when unintentionally actuating the On/Off switch.
- **For safe and proper working, always keep the product clean.**

#### Battery Maintenance

Use the following procedures to enable optimum usage of the battery:

- Protect the battery against moisture and water.
- Store the machine and battery only within a temperature range between  $-20^{\circ}\text{C}$  and  $50^{\circ}\text{C}$ . As an example, do not leave the battery in the car in summer.
- It is recommended that the battery is not stored within the product but stored separately.
- Do not leave the battery in the product in direct sunlight.
- The ideal storage condition for the battery is  $5^{\circ}\text{C}$ .
- Occasionally clean the venting slots of the battery using a soft, clean and dry brush.

A significantly reduced working period after charging indicates that the battery is used and must be replaced.

### After-Sales Service and Application Service

Our after-sales service responds to your questions concerning maintenance and repair of your product as well as spare parts. You can find explosion drawings and information on spare parts at: [www.bosch-pt.com](http://www.bosch-pt.com)

The Bosch product use advice team will be happy to help you with any questions about our products and their accessories.

In all correspondence and spare parts orders, please always include the 10-digit article number given on the nameplate of the product.

#### Great Britain

Robert Bosch Ltd. (B.S.C.)  
P.O. Box 98  
Broadwater Park  
North Orbital Road  
Denham Uxbridge  
UB 9 5HJ

At [www.bosch-pt.co.uk](http://www.bosch-pt.co.uk) you can order spare parts or arrange the collection of a product in need of servicing or repair.  
Tel. Service: (0344) 7360109  
E-Mail: [boschservicecentre@bosch.com](mailto:boschservicecentre@bosch.com)

#### You can find further service addresses at:

[www.bosch-pt.com/serviceaddresses](http://www.bosch-pt.com/serviceaddresses)

### Transport

The contained lithium-ion batteries are subject to the Dangerous Goods Legislation requirements. The batteries are suitable for road-transport by the user without further restrictions.

When shipping by third parties (e. g.: by air transport or forwarding agency), special requirements on packaging and labelling must be observed. For preparation of the item being shipped, consulting an expert for hazardous material is required.

Dispatch battery packs only when the housing is undamaged. Tape or mask off open contacts and pack up the battery in such a manner that it cannot move around in the packaging. Please also observe the possibility of more detailed national regulations.

### Disposal



The product, batteries, accessories and packaging should be sorted for environmental-friendly recycling.



Do not dispose of the product and batteries/rechargeable batteries into household waste!

#### Only for EU countries:

According to the European Guideline 2012/19/EU, products that are no longer usable, and according to the European Guideline 2006/66/EC, defective or used battery packs/batteries, must be collected separately and disposed of in an environmentally correct manner.

#### Only for United Kingdom

According to Waste Electrical and Electronic Equipment Regulations 2013 (2013/3113) and the Waste Batteries and Accumulators Regulations 2009 (2009/890), power tools that are no longer usable must be collected separately and disposed of in an environmentally friendly manner.

#### Battery packs/batteries:

##### Li-ion:

Please observe the notes in the section on transport (see "Transport", page 10).

غير صحيح.



انتظر إلى أن تتوقف جميع أجزاء جهاز الحديقة عن الحركة بشكل كامل قبل أن تلمسها. تتابع السكاكين دورانها بعد إطفاء جهاز الحديقة وقد تحدث إلى الإصابات.



لا تستعمل الجهاز أثناء هطول الأمطار ولا تعرضه للمطر.



اتقي من الصدمات الكهربائية.



غير صحيح.



استخدم جهاز الشحن في الغرفة الجافة فقط.



لقد تم تجهيز جهاز الشحن بمحول أمان.



لا تستخدم منظم الضغط العالي أو خرطوم الحديقة من أجل تنظيف جهاز الحديقة.



افحص المجال الذي تريد استخدام جهاز الحديقة فيه جيداً للتأكد من عدم وجود الحيوانات المتوحشة والمنزلية فيه. وجود احتمال جرح الحيوانات المتوحشة والمنزلية أثناء تشغيل الجهاز. افحص مجال استخدام الجهاز جيداً وقم بإزالة جميع الأحجار وعيدان الخشب والأسلاك والعظام والأجسام الغريبة. عند استخدام الجهاز، تأكد من عدم وجود الحيوانات المتوحشة والمنزلية وجذوع



## عربي

## ملاحظات الأمان

**تنبيه! اقرأ التعليمات التالية بإمعان. تمرّس على استخدام عناصر الاستخدام وعلى الاستعمال المخصص للجهاز. يرجى الاحتفاظ بتعليمات التشغيل هذه بمكان آمن للرجوع إليها في المستقبل.**

## شرح الرموز على جهاز الحديقة وجهاز الشحن والمركم

ملاحظة خطر عامة.



اقرأ تعليمات التشغيل هذه.



احرص على عدم إصابة الأشخاص المتواجدين بالجوار بسبب الأجسام الخارجية المتطايرة.



تحذير: حافظ على مسافة آمنة تبعدك عن الجهاز عند التشغيل.



احترس: لا تلمس السكاكين الدوارة. السكاكين حادة. احترس من فقدان أصابع القدم واليد.



اطفئ جهاز الحديقة وحل قاطع التيار الكهربائي قبل تنفيذ أعمال الضبط أو



التنظيف أو إن كنت ستترك جهاز الحديقة دون مراقبة حتى لو كان ذلك لوقت قصير فقط.

- والأسلاك المعدنية والعضام وغيرها من الأشياء الغريبة.
- ◀ افحص قبل الاستخدام دائما إن كانت السكاكين ولوالب السكاكين ومجموعات القص مستهلكة أو تالفة. استبدل دائما كامل طقم السكاكين وأيضا طقم لوالب السكاكين المستهلكة أو التالفة بشكل كامل لتجنب إخلال التوازن.
- ◀ قص الأعشاب فقط أثناء ضوء النهار أو الأضواء الاصطناعية الجيدة.
- ◀ لا تعمل بواسطة جزازة العشب عندما تكون الظروف المناخية رديئة ولاسيما عند بدء العواصف.
- ◀ لا تستعمل جهاز الحديقة قدر الإمكان إن كانت الأعشاب مبتلة.
- ◀ ينبغي المشي بهدوء دائما، ولا يجوز السير بسرعة أبدا.
- ◀ لا تستخدم جهاز الحديقة أبدا إن كانت تجهيزات الوقاية أو الأغطية تالفة أو بلا تجهيزات الأمان، مثلا: واقية الصدم و/أو سلة جمع الأعشاب.
- ◀ إننا ننصح بارتداء واقية سمع للوقاية الشخصية.
- ◀ لا تستخدم الجهاز إن كنت مرهقا أو مريضا أو إن كنت تحت تأثير الكحول أو المخدرات أو الأدوية.
- ◀ إن مزاوله العمل على المنحدرات قد تكون خطيرة:
- لا تقص الأعشاب بالمنحدرات الشديدة الانحدار.
- احرص على الوقوف بثبات

الأشجار الصغيرة في العشب الكثيف.

## التشغيل

- ◀ لا تسمح للأطفال أو للأشخاص الغير مطلعين على هذه التعليمات أبدا أن يستعملوا جهاز الحديقة. يجوز أن تحد الأحكام الوطنية من سن المستخدم. احتفظ بجهاز الحديقة بعيدا عن متناول الأطفال عندما لا يتم استخدامه.
- ◀ لا تسمح للأطفال أو للأشخاص ذوي المقدرات الجسدية أو الحسية أو العقلية المحدودة أو القليلي الخبرة و/أو المعدومي المعرفة و/أو للأشخاص الغير مطلعين على التعليمات هذه أبدا أن يستعملوا جهاز الحديقة.
- ◀ ينبغي مراقبة الأطفال لضمان عدم لعبهم بالجهاز.
- ◀ لا تستخدم جهاز الحديقة أبدا إن تواجد الأشخاص الآخرين ولا سيما الأطفال أو الحيوانات المنزلية على مقربة مباشرة.
- ◀ إن المستخدم أو المستعمل هو الذي يحمل مسؤولية الحوادث أو الإصابات التي تصيب الأشخاص الآخرين أو ممتلكاتهم.
- ◀ لا ترتد أحذية مطاطية مفتوحة أو صنادل عندما تستخدم الجهاز. ارتد أحذية متينة وبنطال طويل دائما. لا تستخدم الجهاز أبدا وأنت حافي القدمين.
- ◀ افحص السطح المرغوب معالجته بإمعان وأزل الحجارة والعصي

- ◀ ارفع جهاز الحديقة فقط بمقبض الحمل. قم بمعاملة المقبض بحذر.
- ◀ لا تقوم بتعديل الجهاز. إن التعديلات الغير مسموحة قد تؤثر سلبا على أمان الجهاز وقد تؤدي إلى زيادة الضجيج والاهتزازات.

### جمع أوراق الأشجار المتساقطة

لقد تمّ تشكيل سكين جمع أوراق الأشجار المتساقطة بحيث تستطيع أن تجمع أوراق الأشجار المتساقطة في الخريف من بين الأعشاب على أرض الحديقة. لكي تحصل على نتيجة مثالية بواسطة هذه الوظيفة ينبغي أن تتقيد بما يلي:

- اجمع أوراق الأشجار المتساقطة فقط عند تثبيت سكين القص على ارتفاع القص الأقصى.
- اجمع أوراق الأشجار المتساقطة فقط على الأرض المكسوة بالأعشاب.
- افحص سطح العمل قبل البدء بجمع أوراق الأشجار المتساقطة وحافظ على إبقاء الأشخاص والحيوانات المنزلية والأغراض الزجاجية والسيارات على بعد مناسب.

### حل قاطع التيار الكهربائي

- دائما عندما تبتعد عن جهاز الحديقة.
- قبل إزالة الاستعصاء.

- دائما على السطوح المنحدرة والأعشاب المبتلة.
- قص الأعشاب على السطوح المائية دائما بشكل عرضي وليس للأعلى و الأسفل.
- احترس بشكل شديد عند تغيير الاتجاه على المنحدرات.
- ◀ احترس بشكل شديد عند السير نحو الخلف أو عند سحب جهاز الحديقة.
- ◀ ادفع جهاز الحديقة أثناء قص الأعشاب دائما نحو الأمام ولا تسحب أبدا نحو جسمك.
- ◀ يجب أن تكون السكاكين متوقفة عن الحركة عندما تضطر لقلب جهاز الحديقة من أجل نقله أو عندما تعبر السطوح الغير مزروعة بالأعشاب أو عندما تنقل جهاز الحديقة من وإلى المجال المرغوب قص أعشابه.
- ◀ لا تميل جهاز الحديقة عند بدء التشغيل أو عند إدارة المحرك.
- ◀ شغل جهاز الحديقة بالطريقة الموصوفة في تعليمات التشغيل واحرص على إبعاد قدميك بمسافة كافية عن الأجزاء الدوارة.
- ◀ لا تقرب يديك وبقدميك من الأجزاء الدوارة ولا تضعها تحتها.
- ◀ ابتعد عن مجال القذف عندما تعمل بواسطة جهاز الحديقة.
- ◀ لا ترفع أو تحمل جهاز الحديقة أبدا عندما يدور المحرك.
- ◀ تأكد من استقرار جميع العجلات الاربع لجهاز الحديقة على الأرض عند التخزين.

## ملاحظات الأمان وملاحظات لمعاملة المركم بشكل مثالي

- ◀ تأكد بأن يكون جهاز الحديقة مطفأ وقاطع التيار الكهربائي مفصلاً قبل تركيب المركم. إن تركيب المركم بجهاز الحديقة قيد التشغيل قد يؤدي إلى حدوث الحوادث.
- ◀ استخدم فقط مراكم بوش المخصصة لجهاز الحديقة هذا. إن استخدام غيرها من المراكم قد يؤدي إلى الإصابات وإلى مخاطر الحرائق.
- ◀ لا تفتح المركم. يتشكل خطر تقصير الدائرة الكهربائية.

احم المركم من الحرارة، بما فيه أيضاً التعرض لأشعة الشمس باستمرار مثلاً ومن النار، والماء والرطوبة. قد يتشكل خطر الانفجار.



حافظ على إبعاد المركم الغير مستخدم بعيداً عن مشابك الورق وقطع النقود المعدنية والمفاتيح والمسامير واللوابب أو الأغراض المعدنية الصغيرة التي قد تؤدي إلى تماس الملامسين. إن عطل التماس بين ملامسي المركم قد يؤدي إلى الاحتراق أو اندلاع النار.

- ◀ قد تتسرب الأبخرة عند تلف المركم واستخدامه بطريقة غير سليمة. أمن امداد المكان بالهواء النقي وراجع الطبيب في حال الإصابة. إن الأبخرة قد تهيج المجاري التنفسية.
- ◀ اقتصر على استخدام المركم في منتجات الجهة المصنعة. يتم حماية المركم من فرط التحميل الفطير بهذه الطريقة فقط دون غيرها.
- ◀ يمكن أن يتعرض المركم لأضرار من خلال الأشياء المدببة مثل المسامير والمفكات أو من خلال تأثير القوى الخارجية. وقد يؤدي هذا إلى تقصير الدائرة الكهربائية الداخلية واحتراق المركم أو خروج الأبخرة منه أو انفجاره وتعرضه لسخونة مفرطة.

◀ لا تقوم بتقصير الدارة الكهربائية بالمركم. يتشكل خطر الانفجار.

- ◀ احم المركم من الرطوبة والماء.
- ◀ خزن جهاز الحديقة والمركم فقط في الحرارة بين 20- درجة مئوية و50 درجة مئوية. مثلاً لا تترك المركم في السيارة في الصيف.
- ◀ نظف شقوق التهوية بالمركم من فترة لأخرى بواسطة فرشاة طرية ونظيفة وجافة.

## تعليمات الأمان لأجهزة الشحن

اقرأ جميع ملاحظات الأمان و التعليمات. إن التقصير عند تطبيق ملاحظات الأمان والتعليمات قد يؤدي إلى الصدمات الكهربائية واندلاع الحرائق و/أو الإصابة بجروح خطيرة.



احتفظ بجميع ملاحظات الأمان والتعليمات للمستقبل.

استخدم جهاز الشحن فقط إن كان بإمكانك أن تقدر كامل وظائفه بشكل تام وكان بإمكانك إن تنفيذها كاملة وكنت قد استلمت التعليمات الموافقة.

- عندما تفحص أو تنظف جهاز الحديقة أو عند إجراء الأعمال عليه.
- بعد الاصطدام بغرض غريب، افحص جهاز الحديقة فوراً لكشف التلف واستبدل السكينة إن تطلب الأمر ذلك.
- إن بدأ جهاز الحديقة بالاهتزاز بشكل غريب (افحصه فوراً).

## الصيانة

◀ ارتد قفازات الحدايق دائماً، عند إجراء الأعمال أو التعديلات في مجال الساكين.

◀ تأكد من ثبات جميع الصواميل والمسامير واللوابب لضمان سلامة وأمان العمل بالجهاز.

◀ افحص مدى تلف واستهلاك كيس جمع الأعشاب بانتظام.

◀ افحص مدى تلف واستهلاك سلة جمع الأعشاب بانتظام.

◀ افحص الجهاز واستبدل القطع المستهلكة أو التالفة على سبيل الاحتياط.

◀ استخدم فقط ساكين القص المخصصة لجهاز الحديقة هذا دون غيره.

◀ احرص على كون الأجزاء المستبدلة صنع بوش.

◀ تأكد قبل التخزين بأن الجهاز نظيفاً وخالياً من المخلفات. نظفه بواسطة فرشاة طرية وجافة إن تطلب الأمر ذلك.

- ◀ جهاز الشحن من أخطار الصدمات الكهربائية.
- ◀ حافظ على نظافة جهاز الشحن. حيث يكون هناك خطر حدوث صدمة كهربائية من جراء تعرضها للاسناخ.
- ◀ قبل الاستخدام افحص جهاز الشحن والكابل والقياس. لا تستخدم جهاز الشحن إذا اكتشفت وجود أضرار به. لا تفتح جهاز الشحن بنفسك ولا تقم بإصلاحه إلا لدى فنيين متخصصين مؤهلين مع الاقتصار على استخدام قطع الغيار الأصلية. يزداد خطر الإصابة بصدمة كهربائية في حالة وجود أضرار بأجهزة الشحن والكابلات الكهربائية والقوابس.
- ◀ لا تقم بتشغيل جهاز الشحن على أرضية سهلة الاشتعال (مثل الورق والمنسوجات وما شابه) أو في بيئة قابلة للاشتعال. حيث ينشأ خطر اندلاع حريق نتيجة للسفونة المتولدة بجهاز الشحن عند الشحن.
- ◀ لا تغطي فتحة تهوية جهاز الشحن. يمكن أن يتعرض جهاز الشحن لسفونة مفرطة ولا يعمل بعد ذلك بشكل سليم.
- ◀ لزيادة الأمان الكهربائي ننصح باستخدام قاطع أمان للتيار الكهربائي يفصل عند حد أقصى 30 ميلي أمبير في حال ارتفاع قيمة التيار بالخطأ. افحص قاطع الأمان للتيار دائماً قبل الاستعمال.

## الاستعمال المخصص

- لقد خصص جهاز الحديقة لقص الأعشاب في الأماكن الخاصة.
- لم يخصص جهاز الحديقة من أجل قص الأسبجة النباتية والتشذيب والتفتيت إلخ..
- يخصص جهاز الحديقة لقص الأعشاب بمستوى ارتفاع الأرض.

- ◀ لا تسمح للأطفال أو للأشخاص ذوي المقدرات الجسدية أو الحسية أو العقلية المحدودة أو القليلي الخبرة و/أو المعدومي المعرفة و/أو للأشخاص الغير مطلعين على التعليمات هذه أبداً أن يستعملوا جهاز الشحن. يجوز أن تحد الأحكام الوطنية من سن المستخدم.
- ◀ راقب الأطفال. لضمان عدم عبث الأطفال بجهاز الشحن.
- ◀ لا تشحن إلا مراكم أيونات الليثيوم من Bosch بدءاً من السعة 4,0 أمبير ساعة (بدءاً من 10 خلايا مراكم). يجب أن يلائم جهد المراكم جهد شحن المرمك الخاص بجهاز الشحن. لا تقم بشحن مراكم غير قابلة لإعادة الشحن. يتشكل خطر نشوب الحرائق والانفجار في حال عدم التقيد بذلك.

احم جهاز الشحن من الأمطار والرطوبة. يزيد تسرب الماء إلى داخل



## البيانات الفنية

جزارة العشب		رقم الصنف
CityMower 18V-32-300		3 600 HB9 A..
18	فولط	الجهد الاسمي
34	سم	عرض هيكل السكين
60 - 30	ملم	ارتفاع القص
31	لتر	سعة كيس جمع الأعشاب
9,5 / 9,4	كغ	الوزن حسب (EPTA-Procedure 01:2014) <sup>A</sup>
راجع لافتة الطراز على جهاز الحديقة		الرقم المتسلسل
35+ ... 0	درجة مئوية	درجة الحرارة المحيطة الموصى بها عند الشحن
50+ ... 20-	درجة مئوية	درجة الحرارة المحيطة المسموح بها عند التشغيل وعند التخزين
.PBA 18V...W ساعة, 4,0 أمبير/ساعة, 5,0 أمبير/ساعة, 6,0 أمبير/ساعة		طراز المرمك

(A) حسب المرمك المستخدم

تم قياس جميع القيم المذكورة في هذه التعليمات من أجل استخدام الجهاز بارتفاع فوق سطح البحر يبلغ 2000 متر كحد أقصى.

جهاز الشحن	AL 1810 CV	AL 1815 CV	AL 1830 CV	AL 1880 CV
تيار الشحن	1,0	1,5	3,0	8,0
مدة الشحن (تفريغ المرمك)				
- مرمك بقدرة 4,0 أمبير ساعة	240	168	95	35
- مرمك بقدرة 5,0 أمبير ساعة	275	193	104	46
- مرمك بقدرة 6,0 أمبير ساعة	364	260	130	62
الوزن حسب EPTA-Procedure 01:2014	0,17	0,38	0,40	0,60
فئة الوقاية	II/□	II/□	II/□	II/□

تسري البيانات على جهد اسمي [A] يبلغ 230 فولت. قد تختلف تلك البيانات حسب اختلاف الجهد والظروف الخاصة بكل دولة.

### ⚠ احترس: لا تلمس سكين القص الدوارة.

#### شحن المرمك

لقد تم تجهيز المرمك بمراقب حراري وهو يسمح بالشحن فقط ضمن مجال حراري يبلغ بين 0 درجة مئوية و 35 درجة مئوية. ويؤدي ذلك إلى مدة صلاحية عالية للمرمك.

**ملاحظة:** يتم تسليم المرمك وهو بحالة شحن جزئية. اشحن المرمك في جهاز الشحن بشكل كامل قبل الاستعمال الأول لضمان قدرة المرمك الكاملة. يمكن شحن مرمك إيونات الليثيوم في أي وقت دون الحد من فترة صلاحيته. إن قطع عملية الشحن لا يسبب الأضرار بالمركم.

لقد تم وقاية مرمك إيونات الليثيوم من التفريغ العميق بواسطة "واقية الخلايا الالكترونية (ECP) (Electronic Cell Protection)". يتم إطفاء المرمك بواسطة مفتاح وقائي عند تفريغ المرمك: لن يعد يعمل جهاز المدينة.

**لا تتابع الضغط على مفتاح التشغيل والإطفاء بعد انطفاء الجهاز بشكل آلي.** فقد يتعرض المرمك لأضرار.

تُرَاعَى الملاحظات بصدد التخلص من المرمك.

#### تركيب/خلع المرمك

**ملحوظة:** يمكن ان يؤدي استخدام المراكم الغير مناسبة إلى عمل الجهاز بشكل غير صحيح أو إلى تلف الجهاز.

ركب المرمك المشحون. احرص على تعاشق واستقرار المرمك بصورة تامة.

لفك المرمك عن الجهاز، اضغط زر الفك واسحب المرمك من مكانه.

#### عملية الشحن

تبدأ إجراءات الشحن فور وصل قابس الشاحن بالمقبس وبعد ذلك وضع المرمك في الشاحن .

## التركيب والتشغيل

هدف العمل	الصورة	الصفحة
نطاق التوريد <sup>(A)</sup>	A	29
تركيب المقبض	B	30
تجميع سلة جمع العشب	C	31
تركيب/فك سلة جمع العشب	D	31
ضبط ارتفاع القص	E	32
تركيب المرمك	F	32
تشغيل	G - I	33 - 35
- إضافة قاطع التيار الكهربائي		
- تشغيل الجهاز		
- قص		
- إطفاء الجهاز		
- إزالة قاطع التيار الكهربائي		
فك المرمك	J	36
ملاحظة العمل بخصوص الجز	K	36
صيانة السكينة/استبدال السكينة	L	37
اختيار التوايح	M	38

(A) لا يتضمن إطار التوريد الاعتيادي التوايح المصورة أو المشروحة. تجد التوايح الكاملة في برنامجنا للتوايح.

## بدئ التشغيل

### من أجل سلامتك

⚠ تنبيه! اطفئ جهاز المدينة وحل قاطع التيار الكهربائي وفك المرمك قبل تنفيذ أعمال الصيانة أو التنظيف. ويطبق ذلك أيضا إن كان كبل المفتاح تالف أو مقصوص أو ملتف عشوائيا.

⚠ تتابع السكاكين دورانها لعدة ثوان بعد إطفاء جهاز المدينة.



**الإضاءة المستمرة للمؤشر الأخضر لشحن المركم**  
تشير الإضاءة المستمرة للمؤشر الأخضر  
لشحن المركم إلى اكتمال شحن المركم.

قبل إدخال المركم يشير الضوء المستمر لمؤشر  
شحن المركم إلى أنه قد تم توصيل قابس الشبكة  
الكهربائية بالمقبس وأن جهاز الشحن جاهز للتشغيل.

**الضوء المستمر للمؤشر الأحمر لشحن المركم**  
تشير الإضاءة المستمرة للمؤشر الأحمر  
لشحن المركم إلى أن درجة حرارة المركم

خارج النطاق المسموح لدرجة حرارة الشحن، انظر  
فقرة «المواصفات الفنية». بمجرد الوصول إلى نطاق  
درجة الحرارة المسموح به، ينتقل جهاز الشحن  
أوتوماتيكياً إلى الشحن السريع.

**الإضاءة الومضة للمؤشر الأحمر لشحن المركم**  
تشير الإضاءة الومضة للمؤشر الأحمر  
لشحن المركم إلى وجود خلل آخر في  
عملية الشحن، انظر فقرة «الأخطاء - الأسباب  
والعلاج».

## ملاحظات عمل

### قدرة القص (مدة عمل المركم)

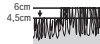
تتعلق قدرة القص (مدة عمل المركم) بمواصفات  
العشب، مثلاً: كثافة العشب، الرطوبة، طول العشب  
وأيضاً ارتفاع القص.

كما يؤدي تكرار تشغيل وإطفاء جهاز الحديقة أثناء  
عملية قص العشب إلى تخفيض قدرة القص (مدة  
عمل المركم).

للتوصل إلى قدرة القص (مدة عمل المركم) المثالية،  
ينصح بالقص مرات متعددة، بتكبير ارتفاع القص  
وبالسير بسرعة ملائمة.

يوضع المثال التالي العلاقة بين ارتفاع القص وقدرة  
القص بالنسبة إلى ثلاثة مراكز.

### شروط القص



عشب جاف ورقيق جداً

يتم كشف حالة شحن المركم بشكل آلي من خلال  
إجراءات الشحن الذكية، ل يتم شحنه بتيار الشحن الملائم  
اعتماداً على درجة حرارة وجهد المركم.

يؤدي ذلك إلى صيانة المركم، فيبقى مشحوناً بشكل  
كامل دائماً عند الاحتفاظ به في جهاز الشحن.

### معنى عناصر البيان (AL 1810)

#### الإضاءة الومضة لمؤشر شحن المركم

تتم الإشارة إلى عملية الشحن من خلال  
وميض مؤشر شحن المركم.



#### الإضاءة المستمرة لمؤشر شحن المركم

تشير الإضاءة المستمرة لمؤشر شحن  
المركم إلى اكتمال شحن المركم أو إلى  
أن درجة حرارة المركم خرجت عن نطاق  
درجة الحرارة المسموح به وبالتالي لا  
يمكن شحنه. يتم شحن المركم فور الوصول إلى  
نطاق درجة الحرارة المسموح.



قبل إدخال المركم يشير الضوء المستمر لمؤشر  
شحن المركم إلى أنه قد تم توصيل قابس الشبكة  
الكهربائية بالمقبس وأن جهاز الشحن جاهز للتشغيل.

### معنى عناصر البيان (AL 1815 CV)

#### الإضاءة الومضة لمؤشر شحن المركم

تتم الإشارة إلى عملية الشحن من  
خلال ووميض مؤشر شحن المركم.



#### الإضاءة المستمرة لمؤشر شحن المركم

تشير الإضاءة المستمرة لمؤشر شحن  
المركم إلى اكتمال شحن المركم أو إلى  
أن درجة حرارة المركم خرجت عن نطاق درجة الحرارة  
المسموح به وبالتالي لا يمكن شحنه. يتم شحن المركم  
فور الوصول إلى نطاق درجة الحرارة المسموح.



قبل إدخال المركم يشير الضوء المستمر لمؤشر  
شحن المركم إلى أنه قد تم توصيل قابس الشبكة  
الكهربائية بالمقبس وأن جهاز الشحن جاهز للتشغيل.

### معنى عناصر البيان (AL 1830 CV / AL) (1880 CV)

#### الضوء الومض (السريع) للمؤشر الأخضر لشحن المركم

تتم الإشارة إلى عملية الشحن السريع من  
خلال الوميض السريع للمؤشر الأخضر  
لشحن المركم.



**إرشاد:** يمكن إجراء عملية الشحن السريع فقط عندما  
تقع درجة حرارة المركم داخل نطاق درجة حرارة  
الشحن، راجع فقرة «البيانات الفنية».

#### الضوء الومض (البطيء) للمؤشر الأخضر لشحن المركم

عندما تبلغ حالة شحن المركم حوالي 80%  
يوميض المؤشر الأخضر لشحن المركم  
بطيء.



يمكن إخراج المركم واستخدامه مباشرة.

شروط القص
مركم بقدرة 6,0 أمبير إلى 300 متر مربع ساعة
يمكن شراء مركم إضافي لدى مركز خدمة زبائن شركة بوش لأجهزة الحديقة من أجل زيادة مدة العمل.

شروط القص
قدرة القص مركم بقدرة 4,0 أمبير إلى 200 متر مربع ساعة
مركم بقدرة 5,0 أمبير إلى 250 متر مربع ساعة

## البحث عن الأخطاء



الخطأ	السبب المحتمل	العلاج
المحرك لا يشتغل	تلف بالكوابل الداخلية بجهاز الحديقة المركم فارغ المركم ساخن/بارد جدا العشب شديد الارتفاع	راجع مركز خدمة زبائن بوش اشحن المركم اسمح للمركم بأن يبرد/يسخن ارتفاع الأعشاب الأقصى المسموح يبلغ 15 سم بواسطة ضبط ارتفاع القص الأعلى
جهاز الحديقة يعمل بشكل متقطع	تم إطلاق واقية المحرك قاطع التيار الكهربائي غير مركب بشكل صحيح/كامل	اترك المحرك يبرد ثم اضبط ارتفاع قص أكبر ركبه بالشكل الصحيح
جهاز الحديقة لا يقص الأعشاب بشكل متساوٍ و/أو صعوبات أثناء العمل	تلف بالكوابل الداخلية بجهاز الحديقة تم إطلاق واقية المحرك ارتفاع القص قليل جدا السكينة كليلية قد يكون هناك انسداد	راجع مركز خدمة زبائن بوش اترك المحرك يبرد ثم اضبط ارتفاع قص أكبر اضبط ارتفاع قص أكبر استبدل السكينة (انظر الصورة L) اطفئ جهاز الحديقة وقم بمل قاطع التيار الكهربائي افحص الجانب السفلي بجهاز الحديقة وأخليه من البقايا عند الضرورة (ارتد قفازات حدائق دائماً)
لا تدور السكينة بعد تشغيل جهاز الحديقة	السكينة مركبة بالاتجاه الخاطئ الأعشاب تعيق حركة السكينة	ركب السكينة بالاتجاه الصحيح اطفئ جهاز الحديقة وقم بمل قاطع التيار الكهربائي ازل الأعشاب المسببة للانسداد (ارتد قفازات الحدائق دائماً)
صامولة/لولب السكينة منملة	صامولة/لولب السكينة منملة	أحكم شد صامولة/لولب السكينة (17 نيوتن متر)
اهتزازات/أصوات شديدة	صامولة/لولب السكينة منملة السكينة تالفة	أحكم شد صامولة/لولب السكينة (17 نيوتن متر) استبدل السكينة (انظر الصورة L)

### ◀ حافظ على نظافة الجهاز، لكي تتمكن من العمل بشكل جيد وآمن.

#### العناية بالمركم

- يرجى مراعاة الملاحظات والإجراءات التالية من أجل ضمان استخدام المركم بشكل مثالي:
- احم المركم من الرطوبة والماء.
- خزن جهاز الحديقة والمركم فقط في الحرارة بين 20- درجة مئوية و50 درجة مئوية. مثلاً لا تترك المركم في السيارة في الصيف.

## الصيانة والخدمة

### الصيانة، التنظيف والتخزين

- ◀ فك المركم عن جهاز الحديقة قبل مزاوله أي نوع من الأعمال بالجهاز (مثلاً: الصيانة، استبدال العدد وإلخ.). ينشأ خطر الإصابة بجروح عند الضغط على مفتاح التشغيل والإيقاف بشكل غير مقصود.

### المراكم/البطاريات: مراكم أيونات الليثيوم:

يرجى مراعاة الإرشادات الواردة في جزء النقل (انظر „النقل“، الصفحة 19).

- قم بتخزين المرمك لوحده وليس داخل جهاز الحديقة.
- لا تترك المرمك في جهاز الحديقة إن كان سيتعرض لأشعة الشمس المباشرة.
- تبلغ درجة الحرارة المثالية لوزن المرمك 5 درجة مئوية.
- نظف شقوق التهوية بالمرمك من فترة لأخرى بواسطة فرشاة طرية ونظيفة وجافة.
- تدل فترة صلاحية قصيرة بعد الشحن إلى أن المرمك قد استهلك وأنه يتوجب استبداله.

### خدمة العملاء واستشارات الاستخدام

يجب مركز خدمة العملاء على الأسئلة المتعلقة بإصلاح المنتج وصيانتته، بالإضافة لقطع الغيار. تجد الرسوم التفصيلية والمعلومات الخاصة بقطع الغيار في الموقع: [www.bosch-pt.com](http://www.bosch-pt.com)  
يسر فريق Bosch لاستشارات الاستخدام مساعدتك إذا كان لديك أي استفسارات بخصوص منتجاتنا وملحقاتها.  
يلزم ذكر رقم الصنف ذو الخانات العشر وفقا للوحة صنع المنتج عند إرسال أية استفسارات أو طلبيات قطع غيار.

### تجد المزيد من عناوين الخدمة تحت:

[www.bosch-pt.com/serviceaddresses](http://www.bosch-pt.com/serviceaddresses)

### النقل

تخضع مراكم أيونات الليثيوم المركبة لأحكام قانون المواد الخطيرة. يسمح للمستخدم أن يقوم بنقل المراكم على الطرقات دون التقييد بأية شروط إضافية.  
عندما يتم إرسالها عن طريق طرف آخر (مثلا: الشحن الجوي أو شركة شحن)، يتوجب التقييد بشروط خاصة بصدد التغليف ووضع العلامات. ينبغي استشارة خبير متخصص بنقل المواد الخطيرة عندما يرغب بتحضير المرمك المراد شحنه في هذه الحالة.  
لا تقوم بشحن المراكم إلا إذا كان هيكلها الخارجي سليم. قم بتغطية الملامسات المكشوفة ن بلاصقات، و قم بتغليف المرمك بحيث لا يتحرك في الطرد. يرجى أيضا مراعاة التشريعات المحلية المتعلقة إن وجدت.

### التخلص من العدة الكهربائية

يجب التخلص من الأجهزة والمراكم والتوابع والتغليف بطريقة منصفة بالبيئة عن طريق التدوير.  
لا ترم الأجهزة والمراكم/البطاريات ضمن النفايات المنزلية!



### فقط لدول الاتحاد الأوروبي:

حسب التوجيه الأوروبي 2012/19/EU، يجب أن يتم جمع الأجهزة غير الصالحة للاستعمال، وحسب التوجيه الأوروبي 2006/66/EC يجب أن يتم جمع المراكم/البطاريات التالفة أو المستهلكة كل على حدة ليتم التخلص منها بطريقة محافظة على البيئة عن طريق إعادة استغلالها.

## فارسی

### دستورات ایمنی

**توجه! همه دستورات ایمنی را به دقت بخوانید. خود را با قسمتهای کاربری و نحوه استفاده از ابزار باغبانی آشنا کنید. لطفا دفترچه راهنما را برای آینده خوب نگهداری کنید.**

### توضیح نمادها روی ابزار باغبانی، دستگاه شارژ و باتری

هشدارهای عمومی.



دفترچه ی راهنما را تا انتها بخوانید.



دقت کنید که افراد نزدیک شما با اجسام به هوا پرت شده زخمی نشوند.



هشدار: هنگام کار ابزار با باغبانی، فاصله ایمنی را رعایت کنید.



احتیاط: به تیغه های در حال حرکت دست نزنید. تیغه ها تیز هستند. جهت محافظت از انگشتان پا و دست خود احتیاط کنید.



قبل از تمیز کردن یا سرویس و یا در صورتی که ابزار باغبانی را حتی برای مدتی کوتاه بدون نظارت رها می کنید، آن را از جریان برق قطع کنید.



مربوط نمی شود.



قبل از تماس با قسمتهای ابزار باغبانی، بگذارید به طور کامل بایستند. تیغه ها پس از خاموش شدن برای مدتی در حرکت می مانند و می توانند باعث ایجاد جراحات شوند.



ابزار باغبانی را در برابر باران حفظ کنید یا زیر باران رها نکنید.



خود را در برابر شوک الکتریکی مصون بدارید.



مربوط نمی شود.



دستگاه شارژ را در مکانهای خشک بکار برید.



شارژر به یک ترانس ایمنی مجهز می باشد.



جهت تمیز کردن ابزار باغبانی از شوینده فشار قوی یا شلنگ استفاده نکنید.



محیط کار ابزار باغبانی را از لحاظ وجود حیوانات وحشی و اهلی به دقت



کنترل کنید. حیوانات وحشی و اهلی ممکن است هنگام کار با دستگاه زخمی شوند. محیط کار دستگاه را خوب کنترل و آن را از نظر وجود سنگ، تکه چوب، استخوان و سایر اجسام خارجی خالی کنید. دقت کنید که هنگام کار با دستگاه، هیچ حیوان وحشی یا اهلی یا ساقه درخت در علف انبوه پنهان نباشد.

## کاربری

- ◀ هرگز به کودکان یا سایر افراد نا آشنا اجازه استفاده از محصول را ندهید. مقررات مربوط به هر کشور می توانند سن کاربر را محدود کنند. چنانچه از محصول استفاده نمی کنید، آن دور از دسترس کودکان نگهدارید.
- ◀ هرگز به کودکان و سایر افراد دارای کاستیهای روحی و جسمی یا بدون تجربه یا آشنایی یا به اشخاص بدون اطلاع از روش کاربری اجازه استفاده از ابزار باغبانی را ندهید.
- ◀ کودکان باید زیر نظر باشند تا اطمینان حاصل شود که آنها با محصول بازی نمی کنند.
- ◀ هرگز از ابزار باغبانی در صورت بودن اشخاص بخصوص کودکان یا حیوانات در نزدیکی شما استفاده نکنید.
- ◀ کاربر در برابر حوادث یا خسارات روی اشخاص یا املاک مسؤول می باشد.
- ◀ هنگام کاربرد محصول، کفشهای سر باز یا صندل نپوشید. کفش کار محکم و یک شلوار بلند بپوشید. هرگز با پای برهنه از محصول استفاده نکنید.
- ◀ سطوح مورد کار را به دقت بررسی کنید و همه سنگها، تکه ها، سیمها، استخوانها و سایر اجسام متفرقه را جدا کنید.
- ◀ قبل از استفاده همیشه کنترل کنید که تیغه، پیچهای تیغه و سایر قسمتهای بخش برش کهنه یا آسیب دیده نباشند. جهت جلوگیری از بر هم خوردن بالانس، تیغه ها یا پیچهای تیغه فرسوده را به طور کامل عوض کنید.
- ◀ فقط در روز روشن یا زیر نور مناسب چراغ، کار کنید.
- ◀ در صورت بد بودن هوا بخصوص هنگام رعد و برق با ماشین چمن زن کار نکنید.
- ◀ ابزار باغبانی را حتی الامکان در چمن مرطوب بکار نبرید.
- ◀ همواره آرام برانید، هرگز تند حرکت نکنید.
- ◀ ابزار باغبانی را هرگز با تجهیزات محافظ آسیب دیده، سرپوش یا تجهیزات ایمنی مانند محافظ پرتاب و/یا سطل جمع آوری علف بکار نگیرید.
- ◀ توصیه می کنیم که علاوه بر ایمنی شخصی از گوشی ایمنی نیز استفاده کنید.
- ◀ اگر خسته یا بیمار هستید یا تحت تأثیر مواد مخدر، دارو یا الکل قرار دارید، از محصول استفاده نکنید.
- ◀ کار در بوته ها می تواند خطرناک باشد:
- سراسیمی های با زاویه زیاد را چمن زنی نکنید.
- هنگام کار روی سطوح کج یا چمن مرطوب مطمئن گام بردارید.
- روی سطوح کج همواره به صورت مورب چمن زنی کنید و نه به صورت بالا و پایین.

ایمنی محصول شما را مختل و یا ایجاد سر و صدای شدید یا لرزش کنند.

### جمع آوری برگ

تیغه برگ جمع کن به شکلی است که برگهای پاییز را از روی چمن شما جمع آوری می کند. جهت رسیدن به نتیجه بهینه، به موارد زیر توجه نمایید:

- برگ ها را تنها در صورت داشتن داشتن بیشنه ارتفاع برش جمع آوری کنید.
- تنها برگهای روی چمن خود را جمع کنید.
- قبل از جمع آوری برگ، سطح کار را کنترل کنید و خود را از انسانها، حیوانات، اشیاء و ماشین دور نگهدارید

### قطع کننده جریان برق را فعال کنید:

- وقتی که خود را از ابزار باغبانی جدا می کنید.
- قبل از رفع گیر یا بلوکه ها،
- هنگام کنترل ابزار باغبانی، تمیز یا روی آن کار کردن.
- پس از برخورد با یک جسم خارجی، ابزار باغبانی را سریع از لحاظ آسیب دیدگی کنترل کنید و تیغه را در صورت نیاز تعویض نمایید.
- چنانچه ابزار باغبانی به طور غیر عادی شروع به لرزیدن کرد (فورا کنترل کنید).

- هنگام تغییر جهت در سرایشی ها کاملا احتیاط کنید.

- ◀ ابزار باغبانی کاملا احتیاط کنید.
- ◀ هنگام چمن زنی ابزار باغبانی را همیشه به جلو برانید و هیچگاه آن را به طرف بدن خود نکشید.
- ◀ تیغه ها بایستی رو به بالا باشند، هنگامی که ابزار باغبانی را جهت حمل و بر می گردانید، وقتی که از روی سطوح پوشیده بدون علف رد می شوید و هنگامی که ابزار باغبانی را از یا به جایی جهت چمن زنی حمل می کنید.
- ◀ هنگام روشن کردن یا روشن ماندن موتور، ابزار باغبانی را واژگون نکنید.
- ◀ ابزار باغبانی را مطابق دستورات دفترچه راهنما روشن کنید و دقت کنید که پاهای شما به اندازه کافی از بخشهای در حال چرخش دور باشند.
- ◀ دستها و پاهای خود را در نزدیکی یا زیر بخشهای در حال چرخش نبرید.
- ◀ هنگام کار با ابزار باغبانی از محدوده پرتاب چمن فاصله بگیرید.
- ◀ ابزار باغبانی را هرگز با موتور روشن بلند یا حمل نکنید.
- ◀ دقت کنید که هنگام نگهداری در انبار، ابزار باغبانی با هر 4 چرخ روز زمین قرار گیرد.
- ◀ ابزار باغبانی را تنها از دسته بلند کنید. دسته را با احتیاط بگیرید.
- ◀ **محصول را دستکاری نکنید.**
- تغییرات غیر مجاز ممکن است

باتری شارژی را در برابر گرما (مانند تابش مستقیم نور خورشید)، رطوبت، آتش، آب محفوظ بدارید. خطر انفجار وجود دارد.



- ◀ باتری شارژی را از نزدیکی با گیره های دفتی، سکه، کلید، میخ، پیچ یا سایر اشیاء فلزی که باعث اتصال دو قطب می شوند، دور نگهدارید. یک اتصالی بین قطبهای باتری شارژی می تواند باعث بروز آتش سوزی شود.
- ◀ در صورت استفاده غیر معمول یا آسیب دیدگی باتری شارژی ممکن است بخار خارج گردد. هوا را تازه کنید و در صورت بروز ناراحتی به پزشک مراجعه کنید. این بخارها می توانند مجاری تنفسی را تحریک کنند.
- ◀ تنها از باتری برای محصولات تولیدی شرکت استفاده کنید. فقط در اینصورت باتری در برابر خطر اعمال فشار بیش از حد محافظت میشود.
- ◀ بوسیله ی اشیاء تیز مانند میخ یا پیچکوشنی یا تأثیر نیروی خارجی ممکن است باتری آسیب ببیند. ممکن است اتصالی داخلی رخ دهد و باتری آتش گیرد، دود کند، منفجر شود یا بیش از حد داغ گردد.
- ◀ از اتصال کوتاه باتری خودداری کنید. خطر انفجار وجود دارد.
- ◀ باتری شارژی را در برابر رطوبت و تابش مستقیم نور خورشید محفوظ بدارید.
- ◀ ابزار باغبانی را شارژ کنید و باتری را در محدوده بین -20°C تا 50°C نگهداری کنید. باتری را در تابستان در ماشین نگذارید.
- ◀ گاه بگاہ شیارهای تهویه باتری را بوسیله یک قلم موی یا برس کوچک نرم و خشک تمیز کنید.

## دستورات ایمنی برای دستگاههای شارژ

همه دستورات ایمنی و راهنمایی ها را بخوانید. اشتباهات ناشی از عدم رعایت این دستورات ایمنی ممکن است باعث برق گرفتگی، سوختگی و یا سایر جراحات های شدید شود.



- ◀ همه دستورات و راهنمایی ها را برای آینده خوب نگهداری کنید.
- ◀ لطفاً دستگاه شارژ را زمانی بکار گیرید که از کلیه لزومات عملکرد آن بخوبی واقف باشید و کاملاً بتوانید با دستگاه کار کنید و همچنین راهنمایی های لازم را دریافت کرده باشید.
- ◀ هرگز به کودکان و سایر افراد دارای کاستیهای روحی و جسمی یا بدون تجربه یا آشنایی یا به اشخاص بدون اطلاع از روش کاربری اجازه استفاده از دستگاه شارژ را ندهید. مقررات

## سرویس و مراقبت

◀ در صورت کار در محدوده تیغه تیز، همواره از دستکش باغبانی استفاده کنید.

◀ از محکم بودن مهره ها، پین ها و پیچها مطمئن شوید تا وضعیت کار ایمنی برای محصول تضمین گردد.

◀ مرتب سطل جمع آوری چمن را از نظر فرسودگی و شکل کنترل کنید.

◀ مرتب سطل جمع آوری چمن را از نظر فرسودگی و شکل کنترل کنید.

◀ محصول را کنترل کنید و قسمت‌های فرسوده یا آسیب دیده را جهت اطمینان تعویض کنید.

◀ فقط از تیغه های در نظر گرفته شده برای ابزار باغبانی استفاده کنید.

◀ مطمئن شوید که قطعات تعویضی از شرکت بوش باشند. قبل از نگهداری در انبار از تمیز بودن و خالی بودن محصول اطمینان حاصل کنید. در صورت امکان با یک برس خشک و نرم تمیز کنید.

## راهنمایی ها برای کار بهینه با باتری شارژی

- ◀ قبل از جاگذاری باتری از خاموش بودن ابزار باغبانی و فیوز مربوط مطمئن شوید. فرار دادن باتری در ابزار باغبانی روشن ممکن است باعث بروز حادثه شود.
- ◀ تنها از باتریهای در نظر گرفته شده برای این ابزار باغبانی استفاده کنید. کاربرد سایر باتریها می تواند باعث بروز جراحات یا خطر آتش سوزی گردد.
- ◀ باتری را باز نکنید. خطر اتصال کوتاه وجود دارد.

- ◀ قبل از هر بار استفاده، دستگاه شارژ، کابل و دوشاخه را کنترل کنید. در صورت تشخیص هر گونه آسیب دیدگی، از دستگاه شارژ استفاده نکنید دستگاه شارژ را سر خود باز نکنید و برای تعمیر دستگاه فقط به متخصصین حرفه ای رجوع و از وسایل یدکی اصل استفاده کنید. دستگاه شارژ، دوشاخه و کابل های آسیب دیده، خطر برق گرفتگی را افزایش میدهند.
- ◀ دستگاه شارژ را در سطح قابل اشتعال (مثلا روی کاغذ، پارچه و غیره) یا در محیط با قابلیت آتشسوزی بکار نبرید. به دلیل ایجاد گرمای حاصل از کار دستگاه، خطر بروز آتشسوزی وجود دارد.
- ◀ شیار تهویه ی دستگاه شارژ را نبوشانید. دستگاه شارژ ممکن است در غیر اینصورت درست کار نکند.
- ◀ برای افزایش ایمنی الکتریکی توصیه می شود از یک کلید نشت و خطا با حداکثر امپراژ فعال 30 میلی آمپر استفاده کنید. کلید نشت و خطا را قبل از کاربری کنترل کنید.

## موارد استفاده از دستگاه

- ابزار باغبانی جهت چمن زنی در محیط شخصی در نظر گرفته شده است.
- ابزار باغبانی جهت بریدن شمشاد، کوتاه کردن، خرد کردن و غیره در نظر گرفته نشده است.
- ابزار باغبانی جهت چمن زنی روی زمین در نظر گرفته نشده است.

- مربوط به هر کشور می توانند سن کاربر را محدود کنند.
- ◀ **مراقب کودکان باشید.** اینگونه اطمینان حاصل می کنید که کودکان با دستگاه شارژ بازی نمی کنند.
- ◀ تنها باتریهای لیتیوم-یونی از ظرفیت **Ah 4,0** (از **10** باتری ساعتی) شارژ کنید. ولتاژ باتری بایستی با ولتاژ شارژر باتری مطابقت داشته باشد. از شارژ کردن باتری های غیر قابل شارژ خودداری کنید. در غیر اینصورت خطر آتش سوزی یا انفجار وجود دارد.

- دستگاه شارژ باتری را در برابر باران و رطوبت محفوظ بدارید. نفوذ آب به داخل دستگاه شارژ، خطر برق گرفتگی را افزایش میدهد.
- ◀ دستگاه شارژ را تمیز نگهدارید. آلودگی می تواند خطر ایجاد شوک الکتریکی داشته باشد.



## مشخصات فنی

CityMower 18V-32-300		ماشین چمن زن
3 600 HB9 A..		شماره فنی
18	V	ولتاژ نامی
34	cm	عرض قاب تیغه
30 - 60	میلیمتر	ارتفاع برش
31	l	حجم، سطل جمع آوری چمن
9.4 / 9.5	kg	وزن مطابق استاندارد <sup>A)</sup> EPTA-Procedure 01:2014
رجوع کنید به برجسب روی ابزار باغبانی		شماره فنی/شماره سری
0 ... +35	°C	دمای توصیه شده محیط هنگام شارژ
-20 ... +50	°C	دمای مجاز محیط هنگام کار هنگام انبار کردن
PBA 18V...W- 4,0 Ah, 5,0 Ah, 6,0 Ah		نوع باتری شارژی

A) بسته به نوع باتری کاربردی تمام مقادیر موجود در این دفترچه برای کاربری برابر یا کمتر از 2000 متر بالاتر از سطح دریا اندازه گیری شده اند.

AL 1880 CV	AL 1830 CV	AL 1815 CV	AL 1810 CV	دستگاه شارژ باتری
8.0	3.0	1.5	1.0	A
				جریان شارژ



AL 1880 CV	AL 1830 CV	AL 1815 CV	AL 1810 CV	دستگاه شارژ باتری	
زمان شارژ (باتریها خالی هستند)					
35	95	168	240	دقیقه	- باتری با 4,0 Ah
46	104	193	275	دقیقه	- باتری با 5,0 Ah
62	130	260	364	دقیقه	- باتری با 6,0 Ah
0.60	0.40	0.38	0.17	kg	وزن مطابق استاندارد EPTA-Procedure 01:2014
II/□	II/□	II/□	II/□		کلاس ایمنی

مقادیر برای ولتاژ نامی [U] 230 ولت میباشند. برای ولتاژهای مختلف و تولیدات مخصوص کشورها، ممکن است این مقادیر، متفاوت باشند.

### نحوه شارژ کردن باتری

باتری شارژی مجهز به سیستم کنترل کننده دما است که شارژ بین 0 °C و 35 °C را ممکن می سازد. به این ترتیب طول عمر باتری افزایش می یابد.  
**تذکر:** باتری دستگاه با شارژ اولیه ارسال می شود. برای دست یافتن به توان کامل باتری، بایستی باتری را پیش از اولین بار استفاده، در دستگاه شارژ بطور کامل شارژ کنید.

باتریهای لیتیوم-یونی را می توان همیشه شارژ کرد، بدون اینکه از طول عمر آنها کاسته شود. قطع شارژ باتری به آن آسیبی وارد نمی کند.

باتری لیتیوم-یونی از طریق „Electronic Cell Protection (ECP)“ در مقابل خالی شدن کامل محافظت می شود. در صورت خالی بودن باتری، محصول بوسیله کلید حفاظتی خاموش می شود؛ ابزار باغبانی دیگر کار نمی کند.

**پس از خاموش شدن خودکار دستگاه، دوباره روی کلید خاموش/روشن فشار نیاورید.** امکان آسیب دیدن باتری وجود دارد.

به نکات مربوط به نحوه از رده خارج کردن باتری توجه کنید.

### قرار دادن/برداشتن باتری

**تذکر:** در صورت استفاده از باتری های نامناسب، امکان بروز اختلال در عملکرد یا آسیب دیدگی دستگاه وجود دارد.

باتری شارژ شده را قرار دهید. مطمئن شوید که باتری کاملاً افتاده است.

برای برداشتن باتری از دستگاه، دکمه آزاد کننده قفل باتری را فشار دهید و باتری را بیرون بکشید.

### فرآیند بشارژ

به محض اتصال دو شاخه دستگاه شارژ در پریز و فیش شارژر و باتری در دستگاه شارژ شروع می شود.

توسط فرآیند هوشمند شارژ، وضعیت شارژ به طور خودکار تشخیص داده می شود و بر حسب دمای باتری و ولتاژ، جریان شارژ بهینه انتخاب می شود. با این روش طول عمر باتری افزایش یافته و به هنگام نگهداری آن در داخل دستگاه شارژ همواره بطور کامل، شارژ باقی میماند.

### نحوه نصب و کاربرد

نوع عملکرد	تصویر	صفحه
محتویات ارسالی <sup>(A)</sup>	A	29
نصب قلاب دستگیره	B	30
سر هم کردن سطل جمع آوری چمن	C	31
برداشتن/نصب سطل جمع آوری چمن	D	31
تنظیم ارتفاع برش	E	32
جاگذاری باتری	F	32
کاربرد	G-I	33 - 35
- از فیوز مربوط استفاده کنید		
- روشن کنید		
- چمن زنی		
- خاموش کنید		
- فیوز مربوط را بردارید		
برداشتن باتری	J	36
تذکر برای «چمن زدن»	K	36
مراقبت از تیغه/تعویض تیغه	L	37
نحوه انتخاب متعلقات	M	38

(A) کلیه متعلقاتی که در تصویر و یا در متن آمده است، بطور معمول همراه دستگاه ارائه نمی شود. لطفاً لیست کامل متعلقات را از فهرست برنامه متعلقات اقتباس نمایید.

### نحوه کاربرد دستگاه

#### برای ایمنی شما

- ◀ توجه! ابزار باغبانی را خاموش کنید، قطع کننده جریان برق را رها کنید و قبل از انجام سرویس و تمیز کردن، باتری را درآورید.
- همین کار را در صورت بریدگی، آسیب دیدگی یا کلافه شدن کابل دستگاه انجام دهید.
- ◀ پس از خاموش شدن ابزار باغبانی، تیغه آن چند ثانیه در حرکت می ماند.
- ◀ احتیاط: به تیغه در حال چرخش دست نزنید.

## مفهوم چراغهای نمایشگر (AL 1810)

### چراغ چشمک زن نمایشگر شارژ باتری

فرآیند شارژ بوسیله چشمک زدن نمایشگر شارژ باتری اطلاع داده می شود.



### چراغ ممتد قرمز نمایشگر شارژ باتری

چراغ ممتد قرمز نمایشگر وضعیت شارژ باتری نشان می دهد که دمای باتری خارج از محدوده دمای مجاز شارژ قرار دارد، رجوع کنید به بخش "مشخصات فنی". به محض رسیدن به محدوده دمای مجاز، دستگاه شارژ به طور خودکار به حالت فرآیند شارژ سریع تغییر می کند.

### چراغ چشمکزن قرمز نمایشگر شارژ باتری

چراغ چشمکزن قرمز نمایشگر شارژ باتری نشاندهنده وجود یک اختلال در فرآیند شارژ است رجوع کنید به بخش "خطا - دلایل و راه حل".

## راهنمایی های عملی

### توان برش (مدت کارکرد باتری)

توان برش (مدت کارکرد باتری) به مشخصات چمن یعنی تراکم، رطوبت، اندازه و ارتفاع چمن بستگی دارد.

خاموش روشن کردن مکرر ابزار باغبانی هنگام چمن زنی توان برش (مدت کارکرد باتری) را کاهش می دهد.

جهت بهینه سازی توان برش (مدت کارکرد باتری) توصیه می شود، به دفعات چمن زنی کنید، ارتفاع برش را بیشتر نمایید و با سرعت مناسب حرکت کنید. مثال زیر رابطه بین ارتفاع برش و توان برش را با توجه به باتری نشان می دهد.

### چراغ ممتد نمایشگر شارژ باتری

چراغ ممتد نمایشگر شارژ باتری نمایانگر این است که باتری کاملاً شارژ شده است یا دمای باتری خارج از محدوده دمای مجاز شارژ قرار دارد و به همین دلیل شارژ نمی شود. به محض اینکه دمای باتری تحت دمای مجاز قرار بگیرد، باتری شارژ میشود.

بدون قرار داشتن باتری، چراغ ممتد نمایشگر شارژ باتری نشاندهنده فرارداشتن دوشاخه در پریز و آماده کار بودن دستگاه شارژ است.

### معنی نمادهای نمایشگر (AL 1815 CV)

#### چراغ چشمکزن نمایشگر شارژ باتری

فرآیند شارژ بوسیله چشمک زدن نمایشگر شارژ باتری اطلاع داده می شود.



#### چراغ ممتد نمایشگر شارژ باتری

چراغ ممتد نمایشگر شارژ باتری نمایانگر این است که باتری کاملاً شارژ شده است یا دمای باتری خارج از محدوده دمای مجاز شارژ قرار دارد و به همین دلیل شارژ نمی شود. به محض اینکه دمای باتری تحت دمای مجاز قرار بگیرد، باتری شارژ میشود.

بدون قرار داشتن باتری، چراغ ممتد نمایشگر شارژ باتری نشاندهنده فرارداشتن دوشاخه در پریز و آماده کار بودن دستگاه شارژ است.

### مفهوم اجزاء نمایشگر (AL 1880 CV / AL 1830 CV)

#### چراغ چشمک زن (تند) وضعیت شارژ باتری سبز

فرآیند شارژ سریع با چشمک زدن نمایشگر سبز شارژ باتری نمایش داده میشود. نکته: فرآیند شارژ سریع تنها در صورت قرار داشتن باتری در محدوده دمای مجاز شارژ ممکن است، رجوع کنید به بخش "مشخصات فنی".

#### چراغ چشمک زن (آهسته) وضعیت شارژ باتری سبز

در صورت وضعیت شارژ باتری به مقدار 80% چراغ سبز نمایشگر شارژ باتری آهسته چشمک می زند. باتری را می توان جهت استفاده ی سریع جدا کرد.

#### چراغ ممتد سبز نمایشگر شارژ باتری

چراغ ممتد سبزرنگ نمایانگر اینست که باتری کاملاً شارژ شده است. بدون قرار داشتن باتری، چراغ ممتد نمایشگر شارژ باتری نشاندهنده فرارداشتن دوشاخه در پریز و آماده کار بودن دستگاه شارژ است.



## شرایط برش

باتری با Ah 5,0 تا 250 m<sup>2</sup>باتری با Ah 6,0 تا 300 m<sup>2</sup>

برای افزایش مدت کارکرد می توان یک باتری اضافی را از یکی از نمایندگی های مجاز Bosch خریداری کرد

## شرایط برش

چمن بسیار نازک و خشک  


توان برش

باتری با 4,0 Ah تا 200 m<sup>2</sup>

## جستجوی خطا



ایراد	دلیل ممکن	راهنمایی
موتور راه نمی افتد	اتصال درونی کابل های ابزار باغبانی معیوب است	به نمایندگی بوش مراجعه کنید
	باتری خالی است	باتری را شارژ کنید
	باتری خیلی سرد/خیلی داغ است	بگذارید باتری گرم/خنک شود
	چمن خیلی بلند است	بیشترین ارتفاع مجاز چمن با حداکثر تنظیم ارتفاع برش برابر است با 15 سانتیمتر
	م محافظ موتور فعال شده است	بگذارید موتور خنک شود و ارتفاع برش بیشتری را تنظیم کنید
	قطع کننده جریان برق نادرست/ناقص نصب شده است	درست نصب کنید
ابزار باغبانی با توقف کار می کند	اتصال درونی کابل های ابزار باغبانی معیوب است	به نمایندگی بوش مراجعه کنید
	م محافظ موتور فعال شده است	بگذارید موتور خنک شود و ارتفاع برش بیشتری را تنظیم کنید
ابزار باغبانی تصویر برش منظمی بدست نمی دهد و/یا موتور سخت کار می کند	ارتفاع برش کم است تیغه کند است	ارتفاع برش بیشتری را تنظیم کنید تیغه را تعویض کنید (رجوع کنید به تصویر L)
	امکان گرفتگی	ابزار باغبانی را خاموش و فیوز مربوط را قطع کنید
	تیغه از طرف اشتباه نصب شده است	قسمت پایین ابزار باغبانی را کنترل و در صورت نیاز خالی کنید (همواره از دستکش باغبانی استفاده کنید)
	تیغه توسط چمن، گیر کرده است	تیغه را از طرف صحیح نصب کنید ابزار باغبانی را خاموش و فیوز مربوط را قطع کنید گرفتگی را برطرف کنید (همواره از دستکش باغبانی استفاده کنید)
پس از روشن کردن ابزار باغبانی تیغه نمی چرخد	مهره تیغه/پیچ تیغه شل است	مهره تیغه/پیچ تیغه را سفت کنید (Nm 17)
لرزش شدید/سر و صدا	مهره تیغه/پیچ تیغه شل است تیغه آسیب دیده است	مهره تیغه/پیچ تیغه را سفت کنید (Nm 17) تیغه را تعویض کنید (رجوع کنید به تصویر L)

**گیری بیرون آورید.** در صورت تماس ناخواسته و اتفاقی با کلید قطع و وصل، خطر آسیب دیدگی و بروز جراحات وجود دارد.

جهت کار کردن خوب و مطمئن، محصول را تمیز نگهدارید.

## مراقبت و سرویس

## سرویس، تمیز کردن و نگهداری

قبل از هر گونه کاری روی ابزار باغبانی (از قبیل سرویس، تعویض ابزار و غیره) و نیز حمل و نقل و نگهداری، باتری را از ابزار اندازه

## از رده خارج کردن دستگاه

ابزار های باغبانی، باتری ها، متعلقات و بسته بندی آن، باید طبق مقررات حفظ محیط زیست از رده خارج و بازیافت شوند. محصولات و باتری ها/ باتری های قابل شارژ را داخل زباله دان خانگی نیندازید!



### فقط برای کشورهای عضو اتحادیه اروپا:

دستگاههای کهنه و غیر قابل استفاده طبق آئین نامه و دستورالعمل اروپائی 2012/19/EU و باتریهای خراب یا فرسوده براساس آیین نامه ی اروپایی 2006/66/EG بایستی جداگانه و متناسب با محیط زیست جمع آوری شوند.

### باتریهای شارژی/قلمی:

#### لیتیوم-یونی:

لطفاً به تذکرات بخش (رجوع کنید به „حمل دستگاه“، صفحه 28) توجه کنید.

## مراقبت از باتری

جهت تضمین استفاده بهینه از باتری به راهنماییهای زیر توجه کنید:

- باتری شارژی را در برابر رطوبت و تابش مستقیم نور خورشید محفوظ بدارید.
- ابزار باغبانی را شارژ کنید و باتری را در محدوده بین 20°C تا 50°C نگهداری کنید. باتری را در تابستان در ماشین نگذارید.
- باتری را به صورت مجزا و نه در ابزار باغبانی نگهداری کنید.
- باتری را زیر تابش مستقیم نور خورشید در ابزار باغبانی قرار ندهید.
- دمای بهینه جهت نگهداری باتری 5°C است.
- گاه بگاه شیارهای توهیو باتری را بوسیله یک قلم موی یا برس کوچک نرم و خشک تمیز کنید.
- مدت زمان کارایی بسیار کوتاه پس از شارژ، نشاندهنده فرسوده بودن باتری شارژی است و بایستی تعویض شود.

## خدمات و مشاوره با مشتریان

خدمات مشتری، به سؤالات شما درباره تعمیرات، سرویس و همچنین قطعات یدکی پاسخ خواهد داد. نقشههای سه بعدی و اطلاعات مربوط به قطعات یدکی را در تارنمای زیر میابید:

[www.bosch-pt.com](http://www.bosch-pt.com)

گروه مشاوره به مشتریان Bosch با کمال میل به سؤالات شما درباره محصولات و متعلقات پاسخ می دهند.

برای هرگونه سؤال و یا سفارش قطعات یدکی، حتماً شماره فنی 10 رقمی کالا را مطابق برچسب روی ابزار برقی اطلاع دهید.

### ایران

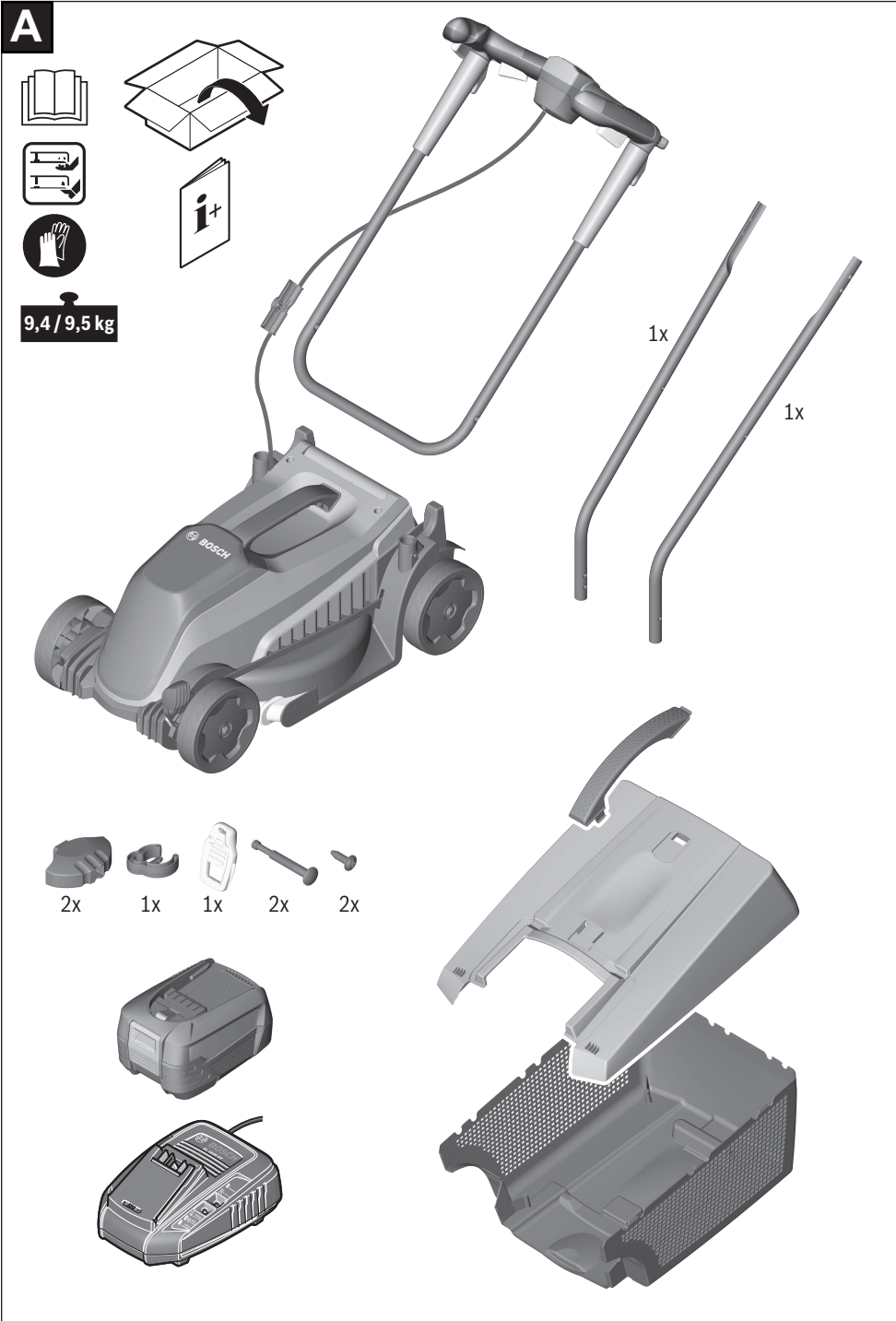
روبرت بوش ایران - شرکت بوش تجارت پارس  
میدان ونک، خیابان شهید خدای، خیابان آفتاب  
ساختمان مادیران، شماره 3، طبقه سوم.  
تهران 1994834571  
تلفن: 42039000+9821

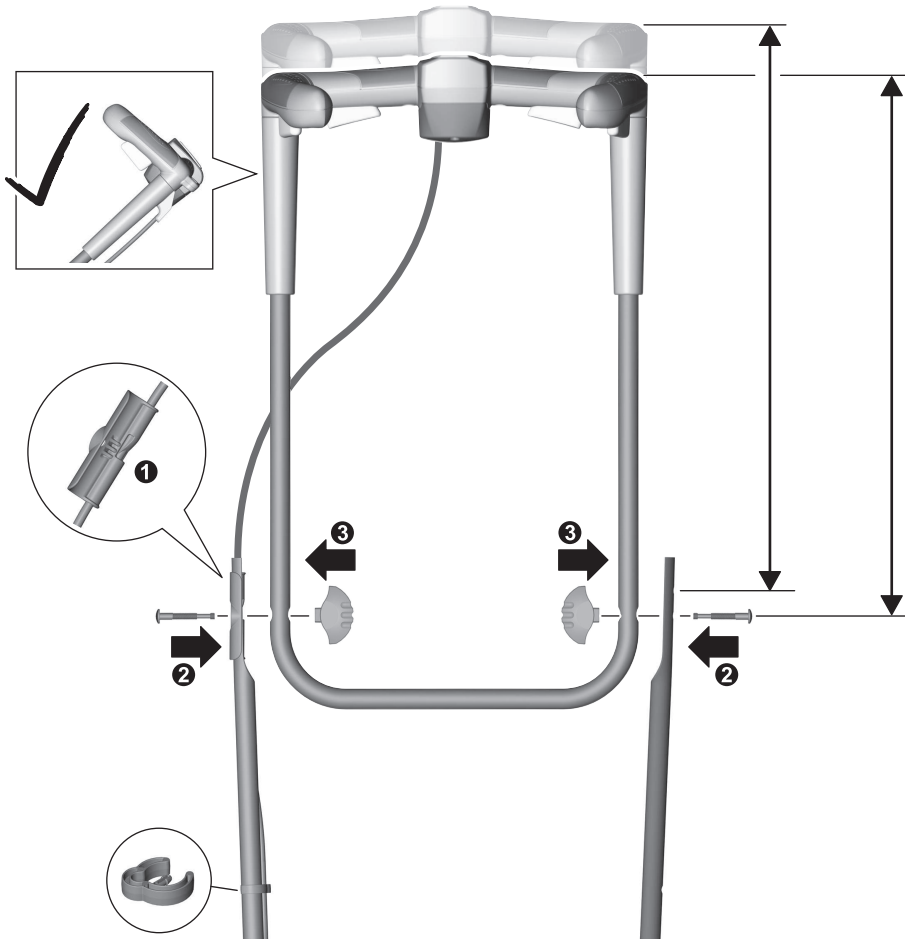
### آدرس سایر دفاتر خدماتی را در ادامه بیابید:

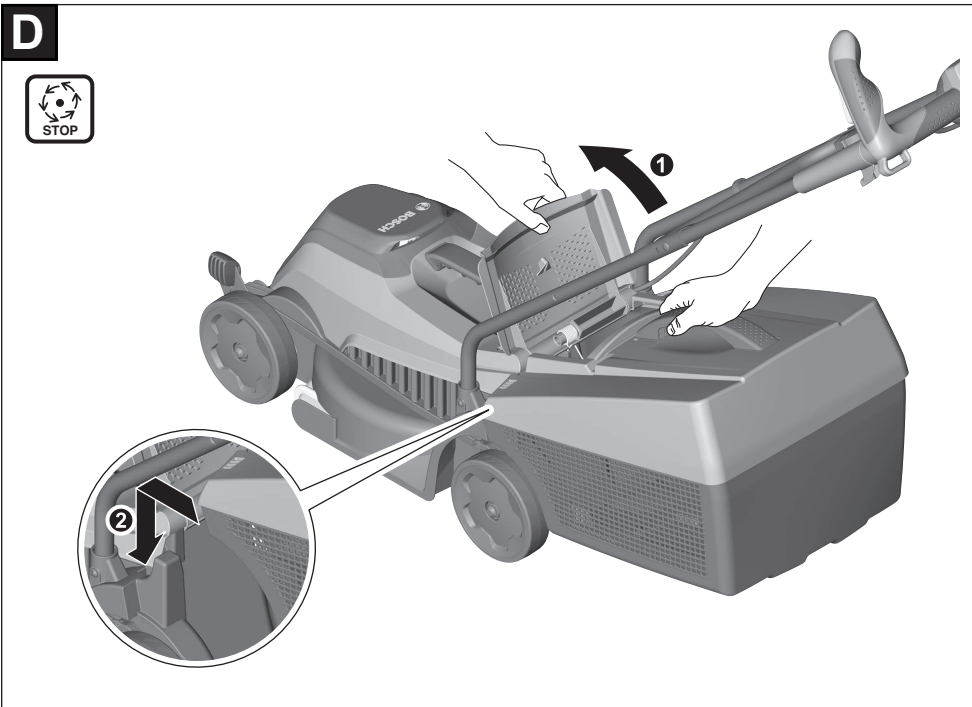
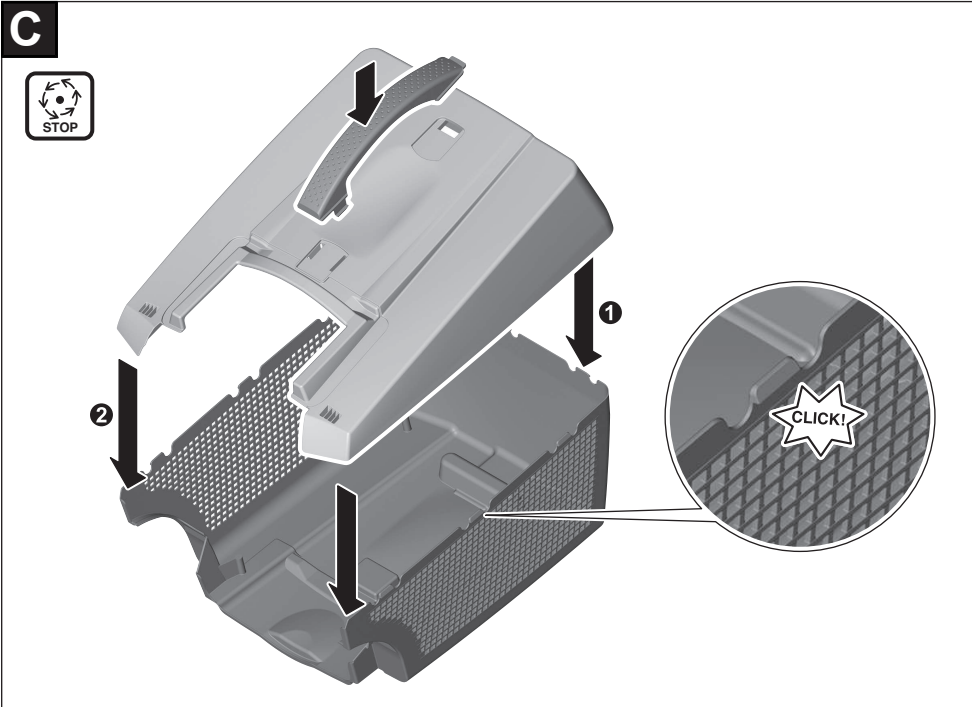
[www.bosch-pt.com/serviceaddresses](http://www.bosch-pt.com/serviceaddresses)

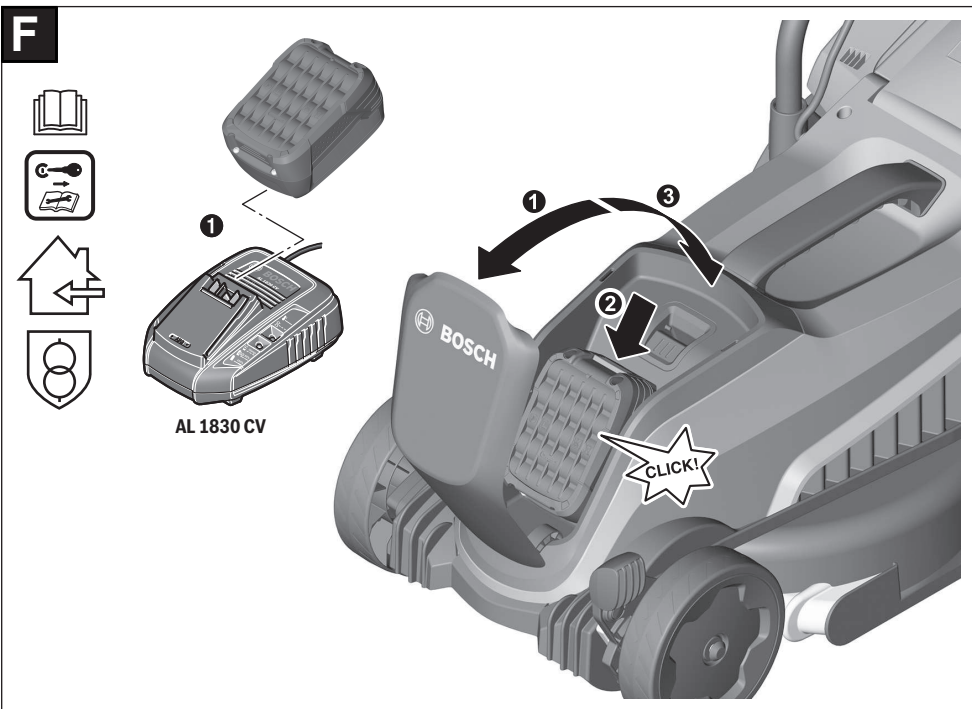
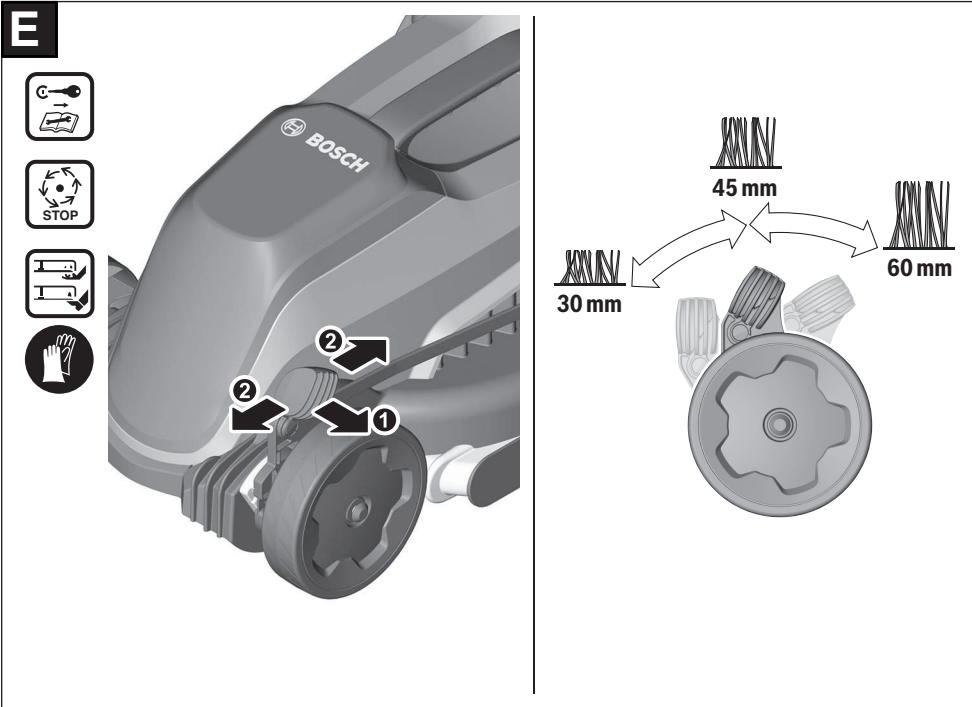
## حمل دستگاه

باتریهای لیتیوم-یونی تابع مقررات حمل کالاهای پر خطر می باشند. کاربر می تواند باتریها را بدون استفاده از روکش در خیابان حمل کند. در صورت ارسال توسط شخص ثالث (مانند: حمل و نقل هوایی یا زمینی) باید تمهیدات مربوط به بسته بندی و علامتگذاری مورد توجه قرار گیرد. در اینصورت باید حتما جهت آماده سازی قطعه ارسالی به کارشناس حمل کالاهای پر خطر مراجعه کرد. باتریها را فقط در صورتی ارسال کنید که بدنه آنها آسیب ندیده باشد. اتصالات (کنتاکتهای) باز را بپوشانید و باتری را طوری بسته بندی کنید که در بسته بندی تکان نخورد. در این باره لطفاً به مقررات و آیین نامه های ملی توجه کنید.

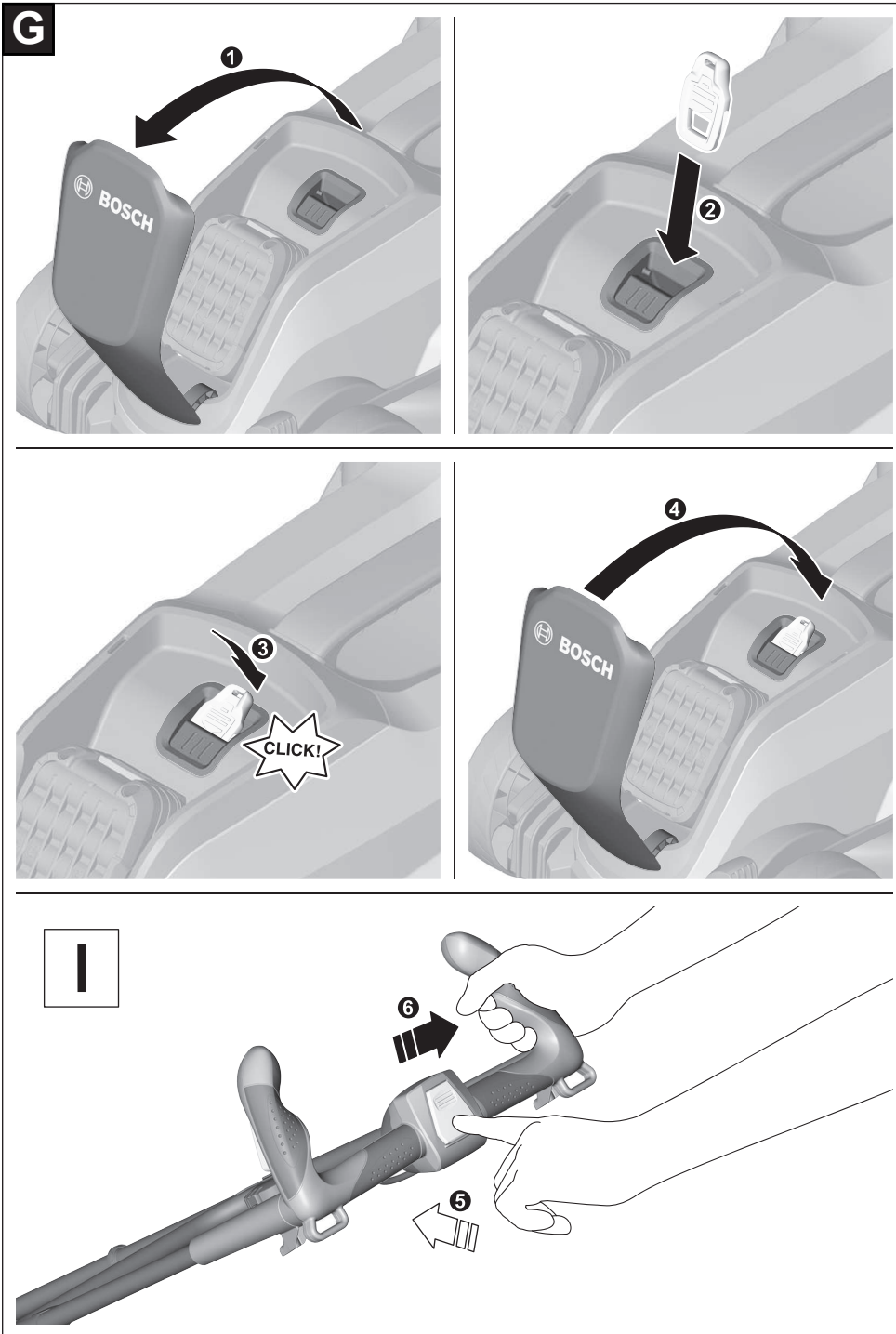


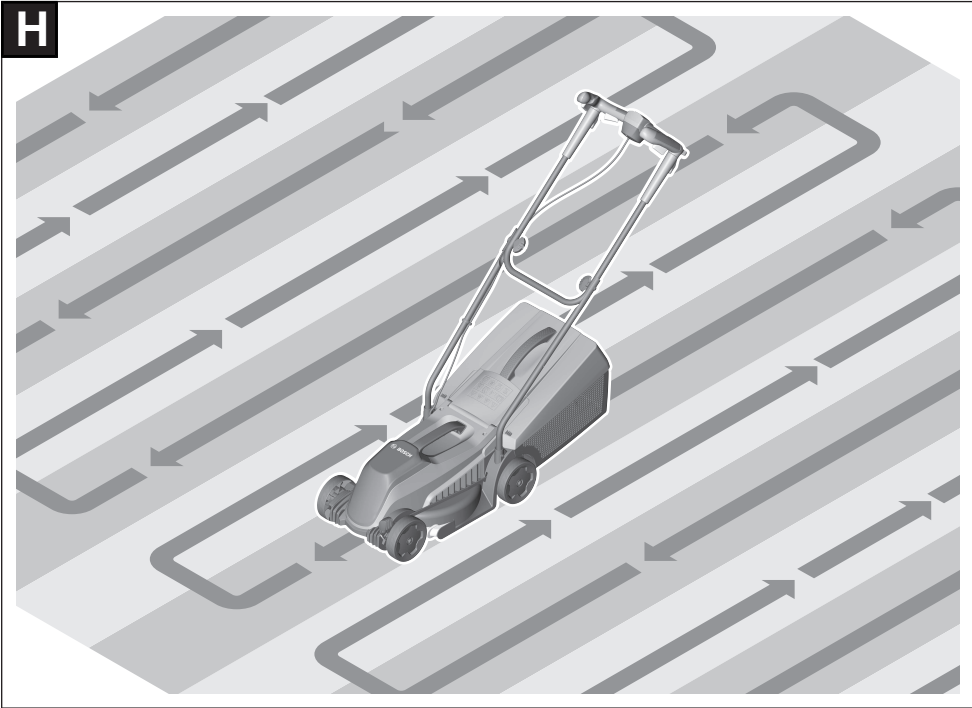
**B**

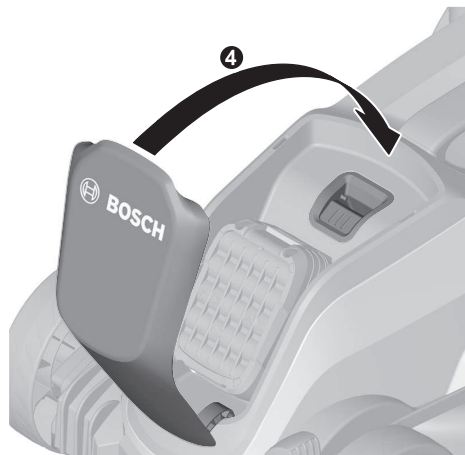
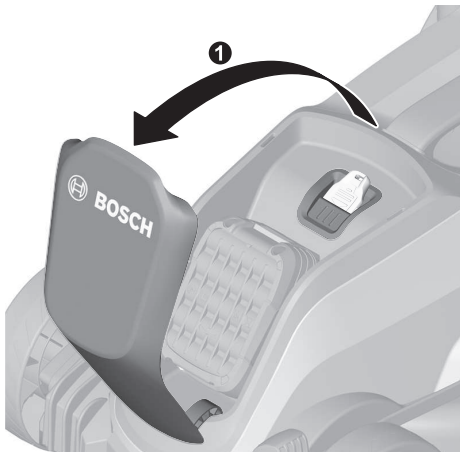
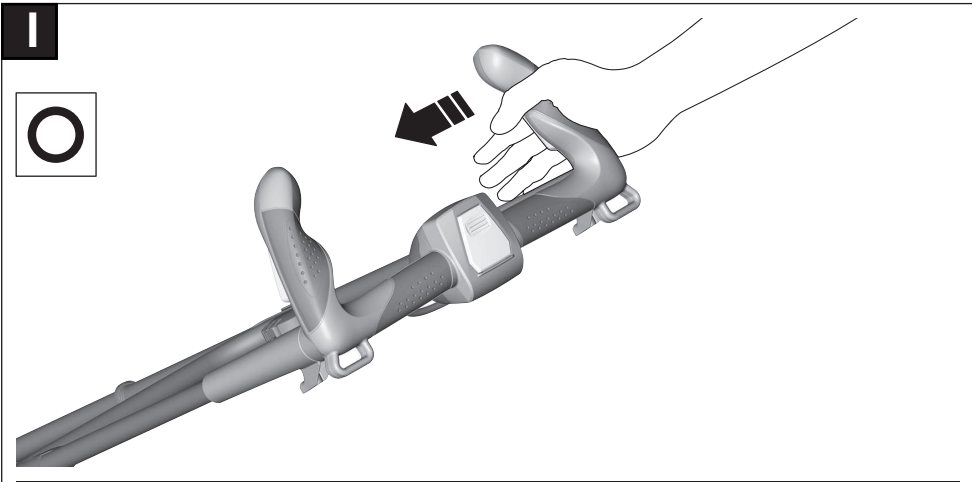


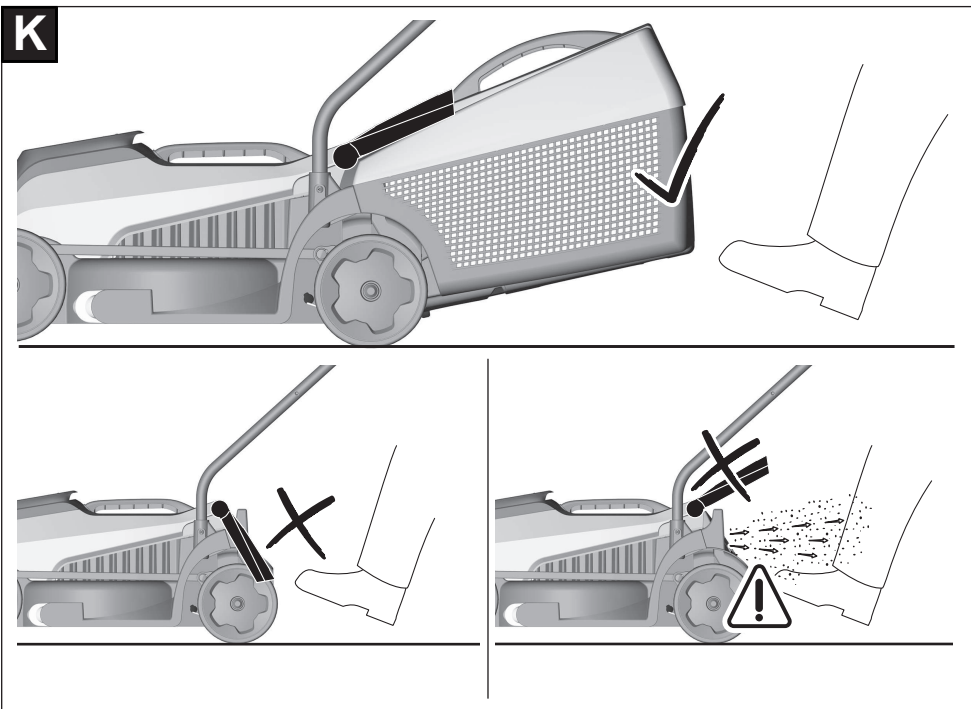
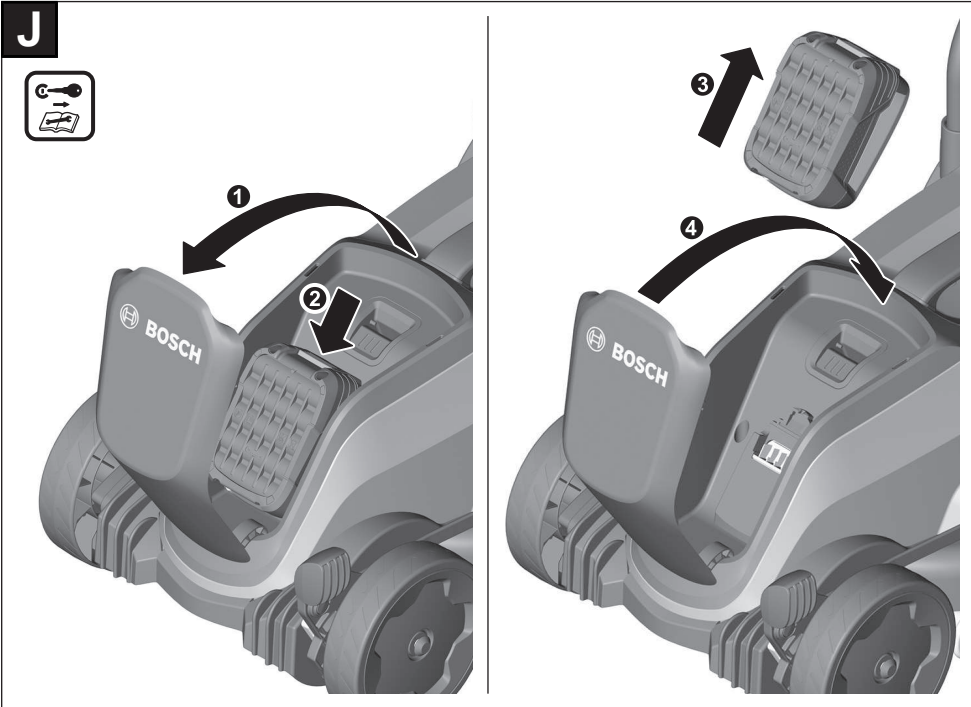


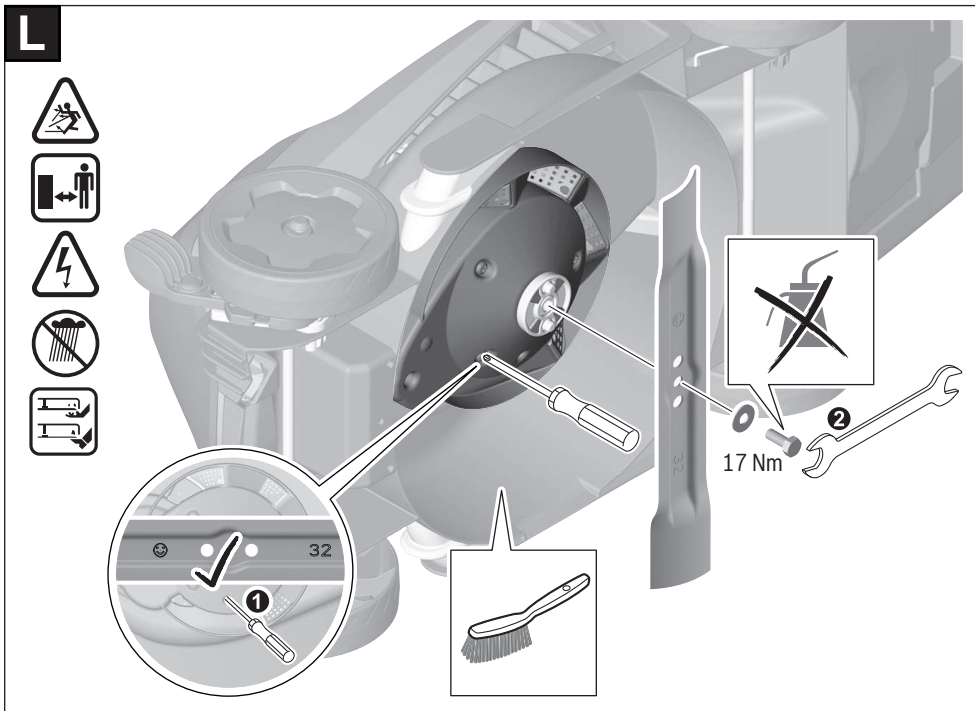




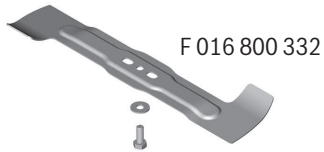




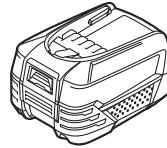




**M**



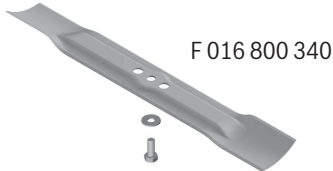
F 016 800 332



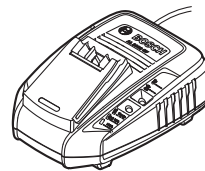
18V 4,0 Ah  
18V 5,0 Ah  
18V 6,0 Ah



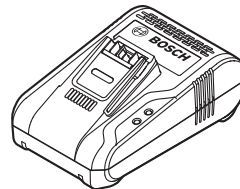
AL 1810 CV



F 016 800 340



AL 1830 CV



AL 1880 CV